

WIRE ROPE ATTACHMENTS



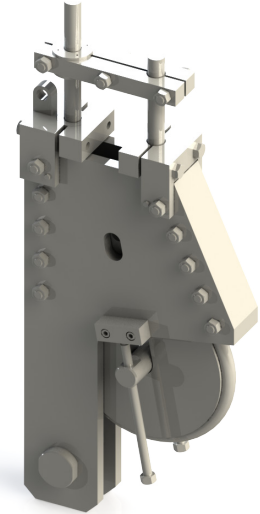
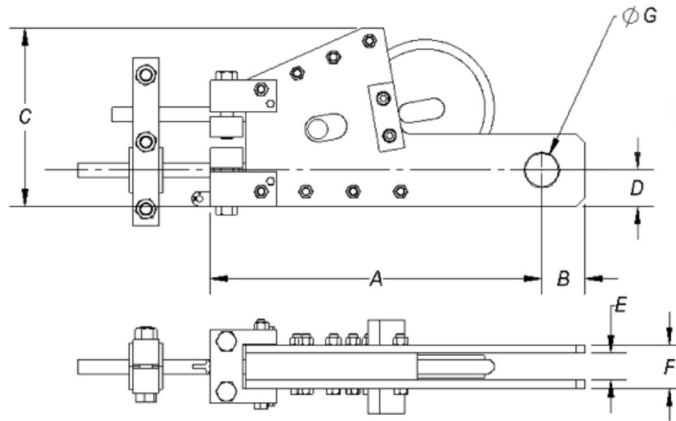
NORTHERN STRANDS THIMBLE CAPPEL

Standard dimensions are shown below. Custom sizing available upon request.
Contact: attachments@northernstrands.com

Factor of safety for all Thimble Cappel is 10:1.

Available Pins:

- Threaded (Round or Flat Head)
- Quick Release



THIMBLE CAPPEL IDENTIFICATION NUMBER	ROPE SIZE [INCHES]	WORKING LOAD LIMIT (LBS)	A	B	C	D	E	F	ØG
10095-A	0.750								
10109-A	0.875	12,000	20.375	2.750	11.620	2.375	1.580	2.580	1.970
10118-A	1.000								
10130-A	1.125								
10145-A	1.250	30,000	31.000	3.750	18.560	3.250	2.000	4.000	2.500
10154-A	1.375								
10163-A	1.500	40,000	35.000	4.625	21.510	3.750	2.360	4.360	3.500
10176-A	1.625								
10185-A	1.750	55,000	46.000	4.750	24.920	4.000	2.950	5.450	4.000
10256-A	1.875								
10265-A	2.000	65,000	46.125	4.750	25.620	4.000	4.250	8.250	4.000
10278-A	2.125								
10287-A	2.250	85,000	59.125	4.500	29.570	5.000	4.250	8.750	4.000
10300-A	2.375								