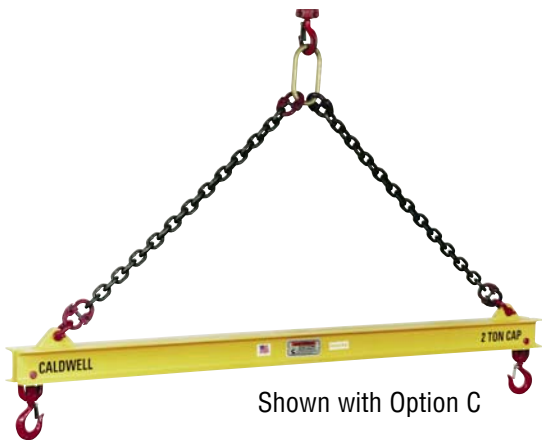


Spreader Beams

Model 30 - Fixed Spreader Beams

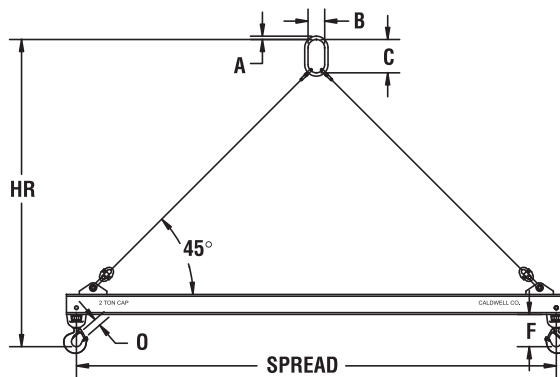


Shown with Option C
Specify Top Rigging



PRODUCT FEATURES:

- Ideal where headroom is not limited.
- Adds stability to lift.
- Available with standard chain or wire rope rigging.
- Available with Adjust-A-Leg® rigging for off center load adjustment (minimum lifting capacity will be approximately 10-15% of beam rating).
- Wide range of additional sizes and capacities available.
- Complies with ASME standards.



SPECIFICATIONS

Capacity (tons)	Model Number HR Headroom (in.) Weight (lbs.)	Spread (feet)								Other Dimensions (in.)	
		4	6	8	10	12	16	20	24		
2	Model Number	30-2-4	30-2-6	30-2-8	30-2-10	30-2-12	30-2-16	30-2-20	30-2-24	A=1/2	F=4-1/4
	HR Headroom	34	46	58	70	82	106	132	156	B=2-1/2	O=31/32
	Weight	45	60	82	95	115	225	408	445	C=5	
5	Model Number	30-5-4	30-5-6	30-5-8	30-5-10	30-5-12	30-5-16	30-5-20	30-5-24	A=1	F=6
	HR Headroom	37	49	61	73	83	110	134	158	B=3-1/2	O=1-1/16
	Weight	62	78	100	117	168	305	435	661	C=7	
10	Model Number	30-10-4	30-10-6	30-10-8	30-10-10	30-10-12	30-10-16	30-10-20	30-10-24	A=1-1/4	F=8-1/8
	HR Headroom	41	53	64	77	86	113	138	163	B=4-3/8	O=1-1/2
	Weight	100	122	156	180	240	380	532	915	C=8-3/4	
15	Model Number	30-15-4	30-15-6	30-15-8	30-15-10	30-15-12	30-15-16	30-15-20	30-15-24	A=1-1/2	F=9-1/4
	HR Headroom	43	55	65	80	92	116	140	167	B=5-1/4	O=1-3/4
	Weight	126	155	185	242	270	420	665	953	C=10-1/2	
20	Model Number	30-20-4	30-20-6	30-20-8	30-20-10	30-20-12	30-20-16	30-20-20	30-20-24	A=1-3/4	F=9-3/4
	HR Headroom	46	58	69	82	94	118	140	170	B=6	O=2
	Weight	170	200	233	315	350	540	775	1341	C=12	
30	Model Number		30-30-6	30-30-8	30-30-10	30-30-12	30-30-16	30-30-20		A=1-3/4	F=9-3/4
	HR Headroom		60	70	83	95	120	145		B=6	O=2
	Weight		285	402	440	530	888	1390		C=12	
40	Model Number		30-40-6	30-40-8	30-40-10	30-40-12	30-40-16			A=2	F=13
	HR Headroom		65	77	89	102	127			B=7	O=2-3/4
	Weight		563	695	781	1058	1364			C=14	

NOTE: Weight = Beam and hooks only - (no top rigging).

TOP RIGGING OPTIONS

OPTION C

Chain top rigging from beam to crane hook.

OPTION W

Wire rope top rigging from beam to crane hook.

OPTION A

Adjust-A-Leg® sling top rigging for off-center load adjustment (not included in QUICKSHIP Program).



The Caldwell Group • 800-628-4263 • www.caldwellinc.com

Strong-Bac® Section
2011-2013 Master Catalog