

CLAMP INDEX

Model

PLATE AND FABRICATED – VERTICAL ONLY

| | | |
|------|------------------|-----------|
| BD | Non-Locking Type | 74 |
| FR | Locking Type | 75 |
| FRD | Locking Type | 76 |
| MPC1 | Locking Type | 77 |
| MPC2 | Locking Type | 78 |
| MPS1 | Locking Type | 79 |
| MPS2 | Locking Type | 80 |
| R | Locking Type | 81 |
| RO | Non-Locking Type | 82 |
| S | Locking Type | 83 |
| SD | Locking Type | 84 |

VERTICAL + 90

| | | |
|----|--------------|-----------|
| J | Locking Type | 86 |
| LJ | Locking Type | 87 |
| TL | Locking Type | 88 |

VERTICAL + 90 + SIDE PULL

| | | |
|----|--------------|-----------|
| JP | Locking Type | 90 |
|----|--------------|-----------|

VERTICAL + 180

| | | |
|--------|---------------------|-----------|
| DC | Locking Type | 92 |
| JA | Locking Type | 93 |
| PCK-SL | Locking, Screw Type | 94 |
| RSC | Locking, Screw Type | 95 |
| SCP | Locking, Screw Type | 96 |
| SCSL | Locking, Screw Type | 97 |
| SCSM | Locking, Screw Type | 98 |
| TLA | Locking Type | 99 |

VERTICAL + 180 + SIDE PULL

| | | |
|------|---------------------|------------|
| JPA | Locking Type | 101 |
| SCPA | Locking, Screw Type | 102 |

STRUCTURAL – SHAPES

| | | |
|-------|------------------|------------|
| AST | Non-Locking Type | 105 |
| ASTL | Non-Locking Type | 106 |
| AST-S | Locking Type | 107 |
| DG | Locking Type | 108 |
| M | Locking Type | 109 |
| SEA | Locking Type | 110 |
| SX | Locking Type | 111 |

HORIZONTAL

| | | |
|------|------------------|------------|
| DWS | Locking Type | 113 |
| HR | Non-Locking Type | 114 |
| HDR | Non-Locking Type | 115 |
| HRS | Locking Type | 116 |
| M | Locking Type | 117 |
| WHSR | Non-Locking Type | 118 |

BEAM

| | | |
|-----|---------------------|------------|
| A-1 | Locking Type | 120 |
| AC | Locking, Screw Type | 121 |
| ACP | Locking, Screw Type | 122 |
| B-1 | Locking Type | 123 |
| B-2 | Trolley Clamp | 124 |
| BC | Locking Type | 125 |
| PB | Locking Type | 126 |

PULL

| | | |
|----|---------------------|------------|
| PC | Locking, Screw Type | 128 |
|----|---------------------|------------|

NON-MARRING

| | | |
|-------|---------------------|------------|
| NM | Locking, Screw Type | 130 |
| NMA | Locking Type | 131 |
| NMBL | Locking Type | 132 |
| NMRSC | Locking, Screw Type | 133 |

DRUM LIFTERS – Vertical Only

| | | |
|-------|--------------|------------|
| 300-S | Locking Type | 136 |
| 400-M | Locking Type | 137 |

TOOL

| | | |
|---------|------------|------------|
| Tagline | Tool Clamp | 139 |
|---------|------------|------------|

PLATE AND FABRICATED – VERTICAL ONLY

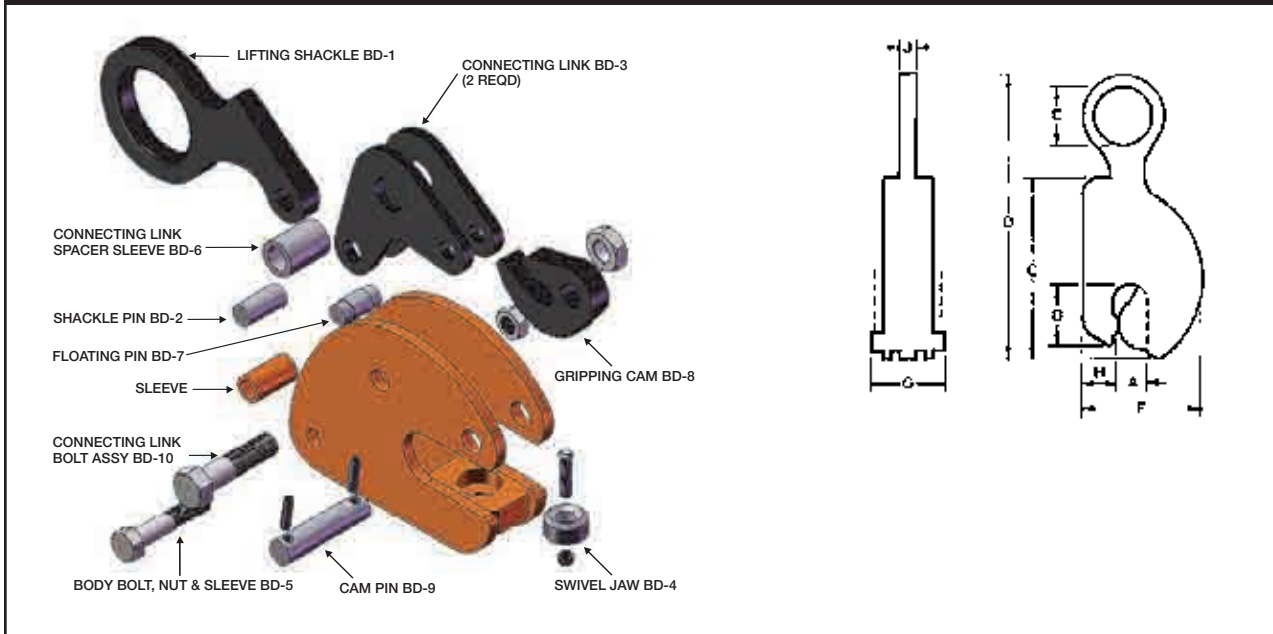


Model BD Non-Locking Type

The **Model BD** is a vertical lifting, non-locking clamp used primarily for steel warehousing and bench work where a locking type clamp is not essential. The clamp is a low-cost, low maintenance tool that features lightweight and compact size. It is recommended for use and application where constant tension is applied to the lifting shackle throughout the entire operation.



MODEL BD EXPLODED VIEW



SPECIFICATIONS (in inches)

| Rated Capacity Tons | Plate Thickness A | MAX. B | C | D | E | F | G | H | J | Weight (in pounds) |
|---------------------|--|--------------------------------|--------------------------------|--------------------------------|-------------------------------|--------------------------------|-------------------------------|-------------------------------|-------------------------------|--------------------|
| 1/2 | 0-1 | 2 ⁹ / ₁₆ | 6 ⁵ / ₁₆ | 10 ³ / ₈ | 1 ³ / ₄ | 4 ¹ / ₂ | 2 ¹ / ₄ | 1 ³ / ₈ | 1 ¹ / ₂ | 6 |
| 1 | 0-1 ¹ / ₈ | 3 ¹ / ₁₆ | 7 ⁵ / ₁₆ | 12 ³ / ₄ | 2 ¹ / ₂ | 5 ⁹ / ₁₆ | 2 ⁷ / ₈ | 1 ⁵ / ₈ | 5 ⁵ / ₈ | 11 |
| 2 | 0-1 ³ / ₈ | 3 ⁹ / ₁₆ | 8 ¹ / ₁₆ | 14 ¹ / ₂ | 3 ¹ / ₈ | 6 ⁹ / ₁₆ | 3 | 2 ¹ / ₄ | 5 ⁵ / ₈ | 16 |
| 4 | 0-1 ³ / ₄ | 3 ⁷ / ₈ | 10 ³ / ₄ | 17 ³ / ₄ | 3 ¹ / ₈ | 7 ⁷ / ₁₆ | 3 ³ / ₈ | 2 ¹ / ₄ | 3 ³ / ₄ | 27 |
| 7 | 1 ¹ / ₄ -2 ¹ / ₂ | 5 | 12 ³ / ₄ | 22 ¹ / ₂ | 3 ⁷ / ₈ | 9 ⁵ / ₈ | 5 | 3 | 1 | 65 |

SPECIFICATIONS ARE SUBJECT TO CHANGE WITHOUT NOTICE.

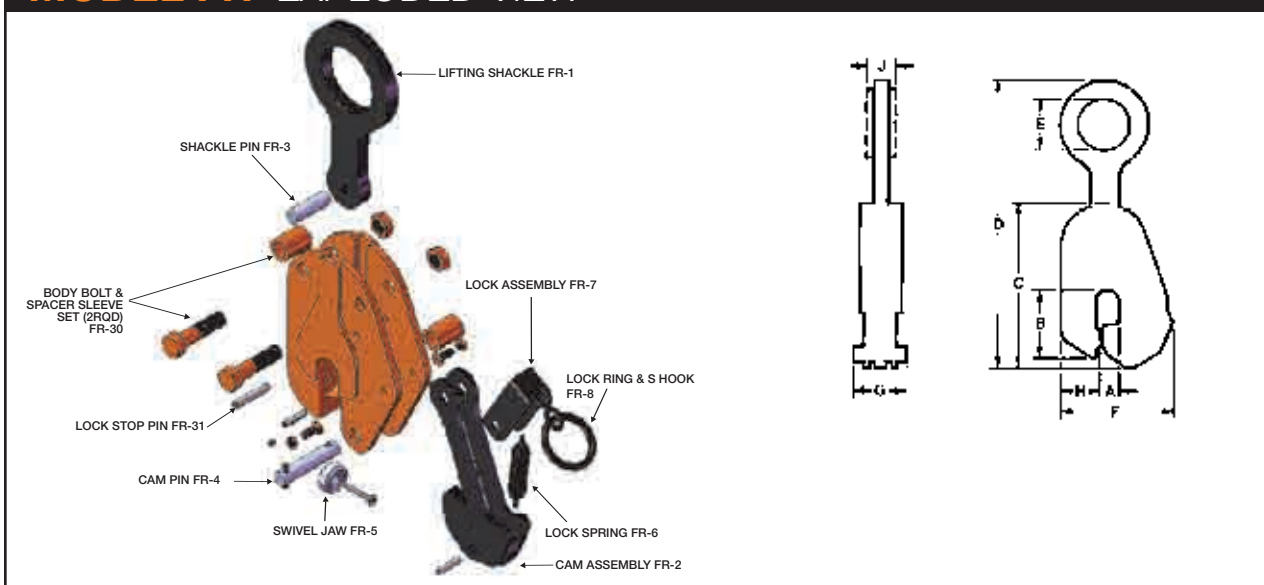
PLATE AND FABRICATED – VERTICAL ONLY



Model FR Locking Type

The **Model FR** is a vertical lifting tool for relatively light work. It is small and easy to handle in capacities through three tons. It incorporates a “Lock Closed” feature which facilitates attaching the clamp to the plate.

MODEL FR EXPLODED VIEW



SPECIFICATIONS (in inches)

| Rated Capacity Tons | Plate Thickness A | B | C | MAX. | | | | | | Weight (in pounds) |
|------------------------|----------------------|---------|--------|--------|-------|--------|--------|--------|-----|-----------------------|
| | | | | D | E | F | G | H | J | |
| 1/2 | 0-3/4 | 2 19/16 | 7 | 11 1/4 | 2 5/8 | 4 5/8 | 2 1/2 | 1 1/2 | 1/2 | 8 |
| | 1/2-1 | 2 13/16 | 7 | 11 1/4 | 2 3/8 | 4 7/8 | 2 1/2 | 1 1/2 | 1/2 | 8 |
| | 3/4-1 1/4 | 2 19/16 | 7 | 11 1/4 | 2 5/8 | 5 1/8 | 2 1/2 | 1 1/2 | 1/2 | 9 |
| | 1-1 1/2 | 2 13/16 | 7 | 11 1/4 | 2 5/8 | 5 3/8 | 2 1/2 | 1 1/2 | 1/2 | 10 |
| | 1 1/4-1 3/4 | 2 19/16 | 7 | 11 1/4 | 2 5/8 | 5 5/8 | 2 1/2 | 1 1/2 | 1/2 | 11 |
| 1 | 0-3/4 | 3 3/16 | 9 | 13 3/4 | 2 5/8 | 5 7/8 | 3 3/16 | 1 5/8 | 5/8 | 14 |
| | 1/2-1 | 3 3/16 | 9 | 13 3/4 | 2 5/8 | 6 1/8 | 3 3/16 | 1 5/8 | 5/8 | 15 |
| | 3/4-1 1/4 | 3 3/16 | 9 | 13 3/4 | 2 5/8 | 6 3/8 | 3 3/16 | 1 5/8 | 5/8 | 15 |
| | 1-1 1/2 | 3 3/16 | 9 | 13 3/4 | 2 5/8 | 6 5/8 | 3 3/16 | 1 5/8 | 5/8 | 16 |
| | 1 1/4-1 3/4 | 3 3/16 | 9 | 13 3/4 | 2 5/8 | 6 7/8 | 3 3/16 | 1 5/8 | 5/8 | 17 |
| 1 1/2-2 | 3 3/16 | 9 | 13 3/4 | 2 5/8 | 7 1/8 | 3 3/16 | 1 5/8 | 5/8 | 18 | |
| 2 | 0-1 | 3 1/2 | 9 | 16 3/8 | 3 5/8 | 6 3/4 | 3 3/8 | 2 1/8 | 3/4 | 23 |
| | 3/4-1 1/2 | 3 1/2 | 9 | 16 3/8 | 3 5/8 | 7 1/4 | 3 3/8 | 2 1/8 | 3/4 | 23 |
| | 1 1/4-2 | 3 1/2 | 9 | 16 3/8 | 3 5/8 | 7 3/4 | 3 3/8 | 2 1/8 | 3/4 | 23 |
| | 1 3/4-2 1/2 | 3 1/2 | 9 | 16 3/8 | 3 5/8 | 8 1/4 | 3 3/8 | 2 1/8 | 3/4 | 24 |
| 3 | 0-1 1/4 | 4 3/16 | 10 3/4 | 18 3/8 | 3 5/8 | 7 5/8 | 3 9/16 | 2 7/16 | 3/4 | 30 |
| | 3/4-1 1/2 | 4 3/16 | 10 3/4 | 18 3/8 | 3 5/8 | 7 7/8 | 3 9/16 | 2 7/16 | 3/4 | 31 |
| | 1 1/4-2 | 4 3/16 | 10 3/4 | 18 3/8 | 3 5/8 | 8 3/8 | 3 9/16 | 2 7/16 | 3/4 | 32 |
| | 1 3/4-2 1/2 | 4 3/16 | 10 3/4 | 18 3/8 | 3 5/8 | 8 7/8 | 3 9/16 | 2 7/16 | 3/4 | 33 |

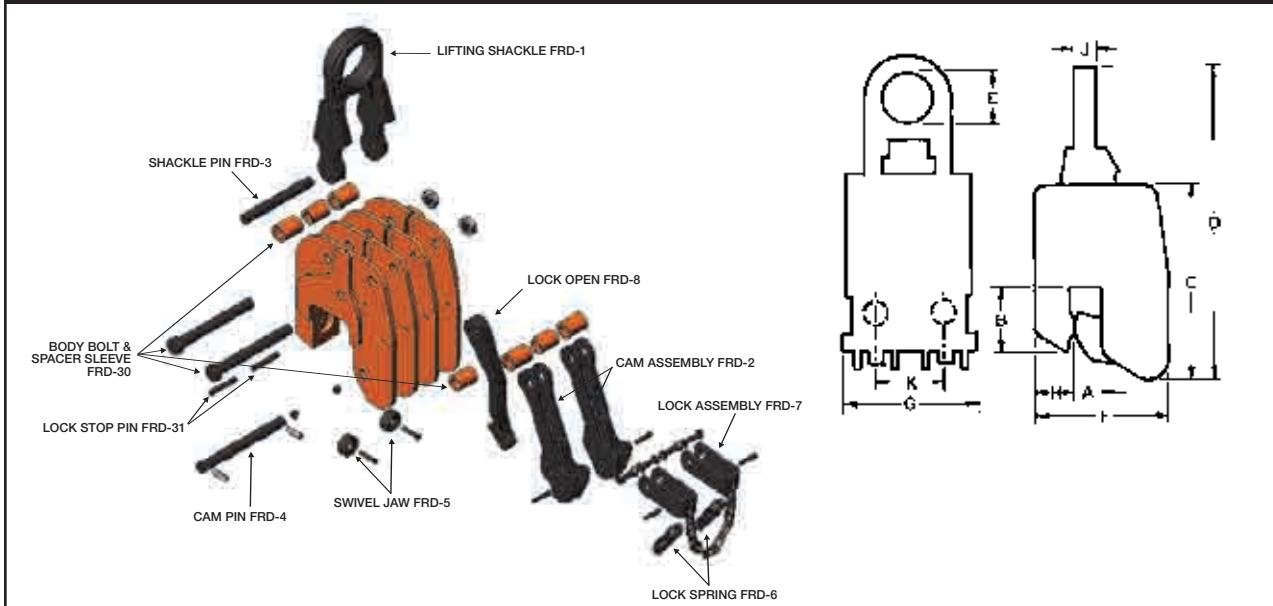
SPECIFICATIONS ARE SUBJECT TO CHANGE WITHOUT NOTICE.

Model FRD Locking Type

The **Model FRD** is a vertical lifting clamp that incorporates two Model FR clamps into one and is used for heavy duty work where it is desirable to spread the gripping surfaces with two points of contact. The clamp contains two “Lock Closed” mechanisms which are activated by a single chain and a manually operated “Lock Open” mechanism.



MODEL FRD EXPLODED VIEW



SPECIFICATIONS (in inches)

| Rated Capacity Tons | Plate Thickness A | B | C | MAX. D | E | F | G | H | I | J | Weight (in pounds) |
|---------------------|----------------------------------|------------------|------------------|------------------|------------------|-------------------|-----------------|-----------------|-----------------|-----------------|--------------------|
| 1 | 0- $\frac{3}{8}$ | 2 $\frac{5}{8}$ | 7 $\frac{3}{4}$ | 14 | 2 $\frac{3}{8}$ | 4 $\frac{3}{4}$ | 5 $\frac{1}{2}$ | 1 $\frac{1}{2}$ | $\frac{5}{8}$ | 3 | 16 |
| | 0- $\frac{3}{4}$ | 2 $\frac{5}{8}$ | 7 $\frac{3}{4}$ | 14 | 2 $\frac{5}{8}$ | 5 $\frac{1}{8}$ | 5 $\frac{1}{2}$ | 1 $\frac{1}{2}$ | $\frac{5}{8}$ | 3 | 18 |
| | $\frac{3}{4}$ -1 $\frac{1}{4}$ | 2 $\frac{5}{8}$ | 7 $\frac{3}{4}$ | 14 | 2 $\frac{3}{8}$ | 5 $\frac{5}{8}$ | 5 $\frac{1}{2}$ | 1 $\frac{1}{2}$ | $\frac{5}{8}$ | 3 | 20 |
| | 1 $\frac{1}{4}$ -1 $\frac{3}{4}$ | 2 $\frac{5}{8}$ | 7 $\frac{3}{4}$ | 14 | 2 $\frac{3}{8}$ | 5 $\frac{5}{8}$ | 5 $\frac{1}{2}$ | 1 $\frac{1}{2}$ | $\frac{5}{8}$ | 3 | 24 |
| 2 | 0- $\frac{3}{4}$ | 3 $\frac{1}{16}$ | 9 | 15 $\frac{3}{8}$ | 2 $\frac{1}{2}$ | 6 | 6 $\frac{1}{2}$ | 1 $\frac{5}{8}$ | $\frac{3}{4}$ | 3 $\frac{1}{8}$ | 26 |
| | $\frac{3}{4}$ -1 $\frac{1}{4}$ | 3 $\frac{1}{16}$ | 9 | 15 $\frac{3}{8}$ | 2 $\frac{1}{2}$ | 6 $\frac{1}{2}$ | 6 $\frac{1}{2}$ | 1 $\frac{5}{8}$ | $\frac{3}{4}$ | 3 $\frac{1}{8}$ | 30 |
| | 1 $\frac{1}{4}$ -1 $\frac{3}{4}$ | 3 $\frac{1}{16}$ | 9 | 15 $\frac{3}{8}$ | 2 $\frac{1}{2}$ | 7 | 6 $\frac{1}{2}$ | 1 $\frac{5}{8}$ | $\frac{3}{4}$ | 3 $\frac{1}{8}$ | 34 |
| 4 | 0-1 | 3 $\frac{1}{2}$ | 9 $\frac{7}{16}$ | 17 $\frac{3}{4}$ | 2 $\frac{7}{8}$ | 6 $\frac{5}{16}$ | 6 $\frac{3}{4}$ | 2 $\frac{1}{8}$ | $\frac{3}{4}$ | 3 $\frac{5}{8}$ | 40 |
| | 1-1 $\frac{1}{4}$ | 3 $\frac{1}{2}$ | 9 $\frac{7}{16}$ | 17 $\frac{3}{4}$ | 2 $\frac{7}{8}$ | 7 $\frac{1}{16}$ | 6 $\frac{3}{4}$ | 2 $\frac{1}{8}$ | $\frac{3}{4}$ | 3 $\frac{5}{8}$ | 44 |
| | 1 $\frac{3}{4}$ -2 $\frac{1}{2}$ | 3 $\frac{1}{2}$ | 9 $\frac{7}{16}$ | 17 $\frac{3}{4}$ | 2 $\frac{7}{8}$ | 7 $\frac{13}{16}$ | 6 $\frac{3}{4}$ | 2 $\frac{1}{8}$ | $\frac{3}{4}$ | 3 $\frac{5}{8}$ | 48 |
| 6 | 0-1 $\frac{3}{8}$ | 4 $\frac{1}{8}$ | 11 $\frac{1}{2}$ | 20 $\frac{5}{8}$ | 3 $\frac{3}{16}$ | 7 | 7 $\frac{7}{8}$ | 2 | 1 $\frac{3}{8}$ | 4 $\frac{1}{8}$ | 58 |
| | 1 $\frac{3}{8}$ -2 $\frac{1}{2}$ | 4 $\frac{1}{8}$ | 11 $\frac{1}{2}$ | 20 $\frac{5}{8}$ | 3 $\frac{3}{16}$ | 8 $\frac{1}{8}$ | 7 $\frac{7}{8}$ | 2 | 1 $\frac{3}{8}$ | 4 $\frac{1}{8}$ | 67 |
| | 2 $\frac{1}{2}$ -3 $\frac{5}{8}$ | 4 $\frac{1}{8}$ | 11 $\frac{1}{2}$ | 20 $\frac{5}{8}$ | 3 $\frac{3}{16}$ | 9 $\frac{1}{4}$ | 7 $\frac{7}{8}$ | 2 | 1 $\frac{3}{8}$ | 4 $\frac{1}{8}$ | 66 |

SPECIFICATIONS ARE SUBJECT TO CHANGE WITHOUT NOTICE.



Model MPC 1 Locking Type

With Pivoting lifting shackle

Designed for Vertical Only lifting of sheets, steel plates, girders and structural steel elements. Pivoting lifting shackle permits side loading of the shackle at 100% from vertical to 30 degrees, 75% of rated capacity between 30 and 45 degrees and 50% of rated capacity between 45 and 90 degrees. (Refer to Depiction) It incorporates a "Lock Closed" feature which facilitates attaching the clamp to the plate.

MODEL MPC 1 EXPLODED VIEW

| Identification No. | Clamp Type | Spare Part Kit | Colour Code |
|--------------------|------------|----------------------------------|-------------|
| 1 | MCP-1 | Gripping Elements | 1 |
| 2 | MCP-1 | Pin Set | 2 |
| 3 | MCP-1 | Lock Assembly | 3 |
| 4 | MCP-1 | Lifting Shackle | 4 |
| 5 | MCP-1 | Lock Spring | 5 |
| 6 | MCP-1 | Gripping Element Extra Hard | 1 |
| 7 | MCP-1 | Gripping Element Stainless Steel | 1 |

SPECIFICATIONS ARE SUBJECT TO CHANGE WITHOUT NOTICE.

SPECIFICATIONS (mm)

| Rated Capacity Kg | Plate Thickness A mm | Measures mm | | | | | | | Weight (in pounds) |
|-------------------|----------------------|-------------|--------|----|-----|----|----|----|--------------------|
| | | B | D min. | E | F | G | H | J | |
| 1000 | 0-25 | 65 | 290 | 60 | 125 | 65 | 45 | 12 | 4.9 |
| 1000 | 25-50 | 65 | 290 | 60 | 150 | 65 | 45 | 12 | 4.9 |
| 2000 | 0-30 | 80 | 370 | 70 | 165 | 72 | 55 | 15 | 7.5 |
| 2000 | 30-60 | 80 | 370 | 70 | 195 | 72 | 55 | 15 | 8.0 |
| 3000 | 5-35 | 105 | 490 | 90 | 195 | 86 | 65 | 20 | 12.0 |
| 3000 | 35-70 | 105 | 490 | 90 | 230 | 86 | 65 | 20 | 12.5 |
| 5000 | 5-50 | 115 | 515 | 90 | 240 | 95 | 85 | 20 | 18.0 |
| 5000 | 50-100 | 115 | 515 | 90 | 290 | 95 | 85 | 20 | 19.0 |



Model MPC 2

Locking Type

With Pivoting lifting shackle

Designed for Vertical Only lifting of sheets, steel plates, girders and structural steel elements. Pivoting lifting shackle permits side loading of the shackle at 100% from vertical to 30 degrees, 75% of rated capacity between 30 and 45 degrees and 50% of rated capacity between 45 and 90 degrees. (Refer to Depiction) It incorporates a "Lock Open" "Lock Closed" feature which facilitates attaching and removing the clamp from the plate.

MODEL MPC 2 EXPLODED VIEW

| Identification No. | Clamp Type | Spare Part Kit | Colour Code |
|--------------------|------------|----------------------------------|-------------|
| 1 | MCP-1 | Gripping Elements | 1 |
| 2 | MCP-1 | Pin Set | 2 |
| 3 | MCP-1 | Lock Assembly | 3 |
| 4 | MCP-1 | Lifting Shackle | 4 |
| 5 | MCP-1 | Lock Spring | 5 |
| 6 | MCP-1 | Gripping Element Extra Hard | 1 |
| 7 | MCP-1 | Gripping Element Stainless Steel | 1 |

SPECIFICATIONS ARE SUBJECT TO CHANGE WITHOUT NOTICE.

SPECIFICATIONS (mm)

| Rated Capacity Kg | Plate Thickness A mm | Measures mm | | | | | | | Weight (in pounds) |
|-------------------|----------------------|-------------|--------|----|-----|----|----|----|--------------------|
| | | B | D min. | E | F | G | H | J | |
| 1000 | 0-25 | 65 | 290 | 60 | 125 | 65 | 45 | 12 | 5.0 |
| 1000 | 25-50 | 65 | 290 | 60 | 150 | 65 | 45 | 12 | 4.8 |
| 2000 | 0-30 | 80 | 370 | 70 | 165 | 72 | 55 | 15 | 8.4 |
| 2000 | 30-60 | 80 | 370 | 70 | 195 | 72 | 55 | 15 | 8.0 |
| 3000 | 5-35 | 105 | 490 | 90 | 195 | 86 | 65 | 20 | 12.0 |
| 3000 | 35-70 | 105 | 490 | 90 | 230 | 86 | 65 | 20 | 13.9 |
| 5000 | 5-50 | 115 | 515 | 90 | 240 | 95 | 85 | 20 | 22.6 |
| 5000 | 50-100 | 115 | 515 | 90 | 290 | 95 | 85 | 20 | 19.0 |

PLATE AND FABRICATED – VERTICAL ONLY



Model MPS 1

Locking Type

With Rigid shackle

Designed for Vertical Only lifting of sheets, steel plates, girders and structural steel elements.

It incorporates a “Lock Closed” feature which facilitates attaching the clamp to the plate.

MODEL MPS 1 EXPLODED VIEW

| Identification No. | Clamp Type | Spare Part Kit | Colour Code |
|--------------------|------------|----------------------------------|-------------|
| 1 | MPS-2 | Gripping Elements | 1 |
| 2 | MPS-2 | Pin Set | 2 |
| 3 | MPS-2 | Lock Assembly | 3 |
| 4 | MPS-2 | Lifting Shackle | 4 |
| 5 | MPS-2 | Lock Spring | 5 |
| 6 | MPS-2 | Gripping Element Extra Hard | 1 |
| 7 | MPS-2 | Gripping Element Stainless Steel | 1 |

SPECIFICATIONS ARE SUBJECT TO CHANGE WITHOUT NOTICE.

SPECIFICATIONS (mm)

| Rated Capacity Kg | Plate Thickness A mm | Measures mm | | | | | | | Weight (in pounds) |
|-------------------|----------------------|-------------|--------|----|-----|----|----|----|--------------------|
| | | B | D min. | E | F | G | H | J | |
| 1000 | 0-25 | 65 | 290 | 60 | 125 | 65 | 45 | 12 | 4.4 |
| 1000 | 25-50 | 65 | 290 | 60 | 150 | 65 | 45 | 12 | 4.2 |
| 2000 | 0-30 | 80 | 370 | 70 | 165 | 72 | 55 | 15 | 7.5 |
| 2000 | 30-60 | 80 | 370 | 70 | 195 | 72 | 55 | 15 | 8.0 |
| 3000 | 5-35 | 105 | 490 | 90 | 195 | 86 | 65 | 20 | 12.0 |
| 3000 | 35-70 | 105 | 490 | 90 | 230 | 86 | 65 | 20 | 13.8 |
| 5000 | 5-50 | 115 | 515 | 90 | 240 | 95 | 85 | 20 | 18.6 |
| 5000 | 50-100 | 115 | 515 | 90 | 290 | 95 | 85 | 20 | 19.0 |

PLATE AND FABRICATED – VERTICAL ONLY



Model MPS 2 Locking Type

With Rigid shackle

Designed for Vertical Only lifting of sheets, steel plates, girders and structural steel elements.

It incorporates a “Lock Open” “Lock Closed” feature which facilitates attaching and removing the clamp from the plate.

MODEL MPS 2 EXPLODED VIEW

| Identification No. | Clamp Type | Spare Part Kit | Colour Code |
|--------------------|------------|----------------------------------|-------------|
| 1 | MPS-2 | Gripping Elements | 1 |
| 2 | MPS-2 | Pin Set | 2 |
| 3 | MPS-2 | Lock Assembly | 3 |
| 4 | MPS-2 | Lifting Shackle | 4 |
| 5 | MPS-2 | Lock Spring | 5 |
| 6 | MPS-2 | Gripping Element Extra Hard | 1 |
| 7 | MPS-2 | Gripping Element Stainless Steel | 1 |

SPECIFICATIONS ARE SUBJECT TO CHANGE WITHOUT NOTICE.

SPECIFICATIONS (mm)

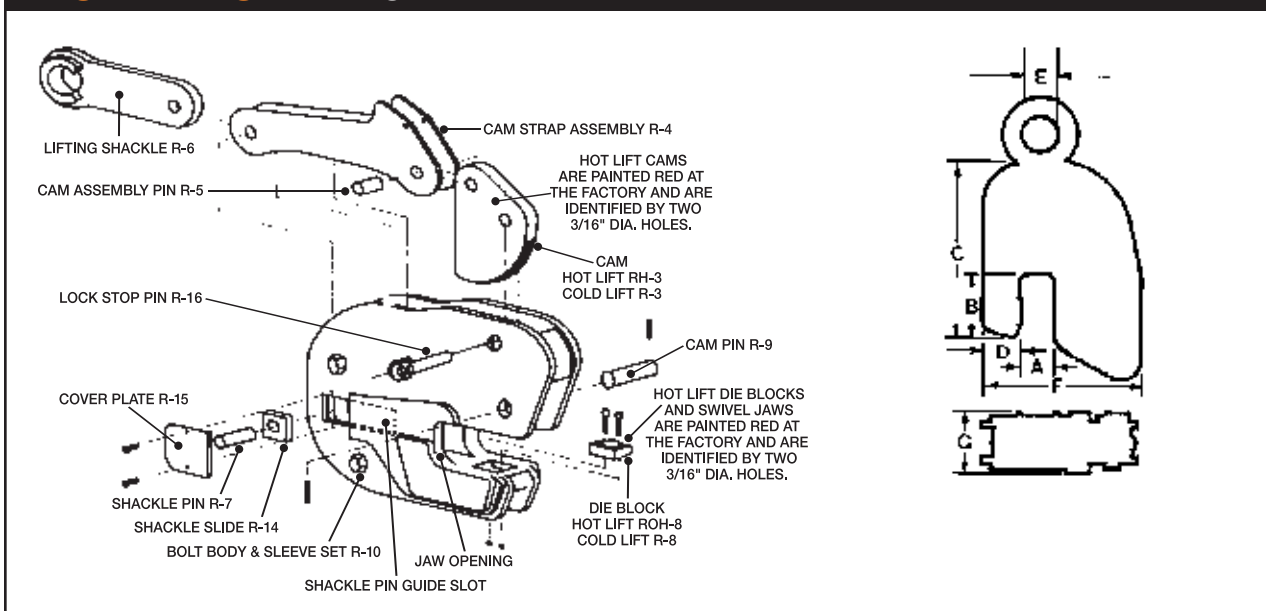
| Rated Capacity Kg | Plate Thickness A mm | Measures mm | | | | | | | | Weight (in pounds) |
|-------------------|----------------------|-------------|--------|----|-----|----|----|----|------|--------------------|
| | | B | D min. | E | F | G | H | J | | |
| 1000 | 0-25 | 65 | 290 | 60 | 125 | 65 | 45 | 12 | 4.5 | |
| 1000 | 25-50 | 65 | 290 | 60 | 150 | 65 | 45 | 12 | 4.2 | |
| 2000 | 0-30 | 80 | 370 | 70 | 165 | 72 | 55 | 15 | 7.5 | |
| 2000 | 30-60 | 80 | 370 | 70 | 195 | 72 | 55 | 15 | 8.0 | |
| 3000 | 5-35 | 105 | 490 | 90 | 195 | 86 | 65 | 20 | 13.3 | |
| 3000 | 35-70 | 105 | 490 | 90 | 230 | 86 | 65 | 20 | 12.5 | |
| 5000 | 5-50 | 115 | 515 | 90 | 240 | 95 | 85 | 20 | 18.0 | |
| 5000 | 50-100 | 115 | 515 | 90 | 290 | 95 | 85 | 20 | 19.0 | |



Model RO Non-Locking Type

The **Model RO** incorporates a “Lock Open Only” feature allowing the clamp to be “Locked Open,” lifted onto a “hot” plate and the lock released without the operator coming in close contact with the “hot” plate.

MODEL RO EXPLODED VIEW



SPECIFICATIONS (in inches)

| Rated Capacity Tons | Plate Thickness A | B | C | D | E | F | G | Weight (in pounds) |
|------------------------|----------------------|-------------------------------|--------------------------------|--------------------------------|----|--------------------------------|-----|-----------------------|
| | | | | | | | | |
| 35 | ¼-4¼ | 8 ³ / ₈ | 23 ⁵ / ₈ | 5 ¹ / ₁₆ | 5 | 21 ³ / ₈ | 8 | 470 |
| | 4-8 | 8 ³ / ₈ | 23 ⁵ / ₈ | 5 ¹ / ₁₆ | 5 | 25 ¹ / ₈ | 8 | 515 |
| 50 | ½-6½ | 13 | 44 ³ / ₄ | 9 | 5 | 36 | 13½ | 1370 |
| | 6-12 | 13 | 44 ³ / ₄ | 9 | 5 | 41½ | 13½ | 1500 |
| 75 | ½-6½ | 16½ | 46 ³ / ₄ | 14¼ | 11 | 42½ | 12½ | 2700 |
| | 3-9 | 16½ | 46 ³ / ₄ | 14¼ | 11 | 45 | 12½ | 2775 |
| | 6-12 | 16½ | 46 ³ / ₄ | 14¼ | 11 | 48 | 12½ | 2850 |
| | 8-14 | 16½ | 46 ³ / ₄ | 14¼ | 11 | 50 | 12½ | 2900 |

SPECIFICATIONS ARE SUBJECT TO CHANGE WITHOUT NOTICE.

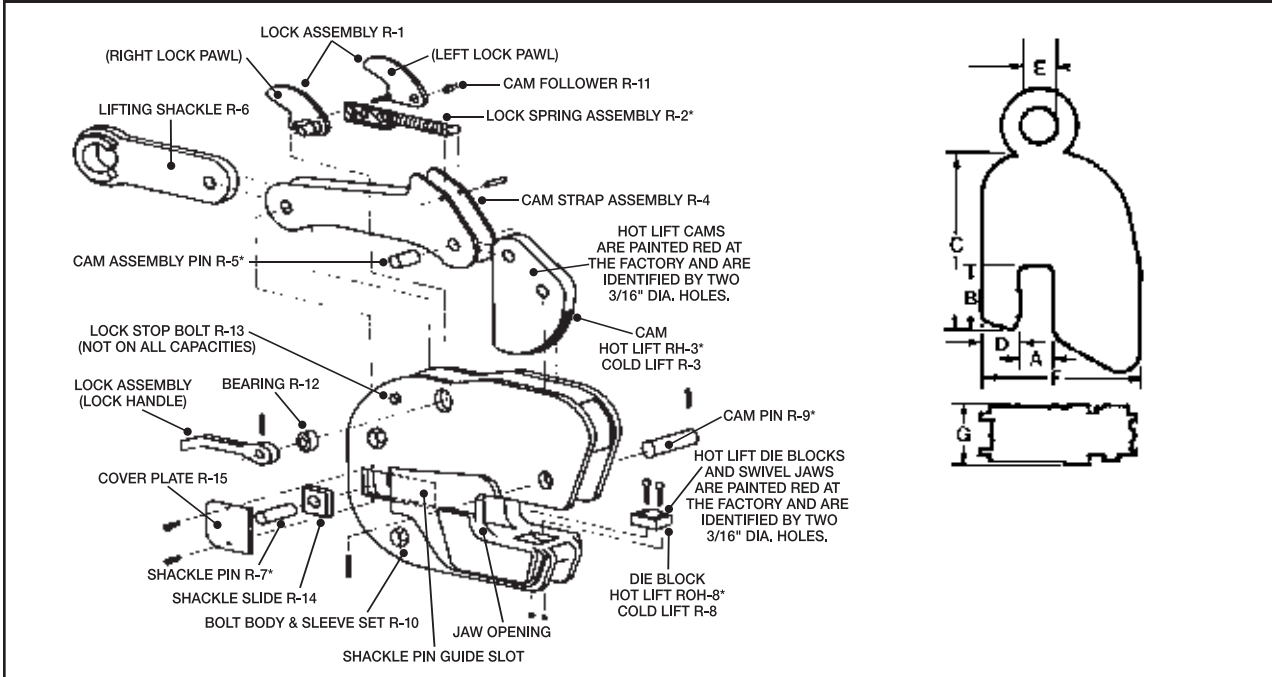
Model R Locking Type

The **Model R** is a vertical lifting clamp primarily used in the handling of heavy steel plate in a wide range of plate thicknesses. Specific models are available for handling “hot” plate (refer to factory for maximum temperatures and recommended application).

The **Model R** incorporates a “Lock Open,” “Lock Closed” feature which facilitates attaching and removing the clamp from the plate.



MODEL R EXPLODED VIEW



SPECIFICATIONS (in inches)

| Rated Capacity Tons | Plate Thickness A | B | C | D | E | F | G | Weight (in pounds) |
|------------------------|----------------------|--------------------------------|---------------------------------|--------------------------------|----|---------------------------------|-----|-----------------------|
| 35 | ¼-4¼ | 8 ⁹ / ₁₆ | 23 ⁵ / ₁₆ | 5 ¹ / ₁₆ | 5 | 21 ³ / ₁₆ | 8 | 470 |
| | 4-8 | 8 ⁹ / ₁₆ | 23 ⁵ / ₁₆ | 5 ¹ / ₁₆ | 5 | 25 ¹ / ₁₆ | 8 | 515 |
| 50 | ½-6½ | 13 | 44 ³ / ₄ | 9 | 5 | 36 | 13½ | 1370 |
| | 6-12 | 13 | 44 ³ / ₄ | 9 | 5 | 41½ | 13½ | 1500 |
| 75 | ½-6½ | 16½ | 46 ³ / ₄ | 14¼ | 11 | 42½ | 12½ | 2700 |
| | 3-9 | 16½ | 46 ³ / ₄ | 14¼ | 11 | 45 | 12½ | 2775 |
| | 6-12 | 16½ | 46 ³ / ₄ | 14¼ | 11 | 48 | 12½ | 2850 |
| | 8-14 | 16½ | 46 ³ / ₄ | 14¼ | 11 | 50 | 12½ | 2900 |

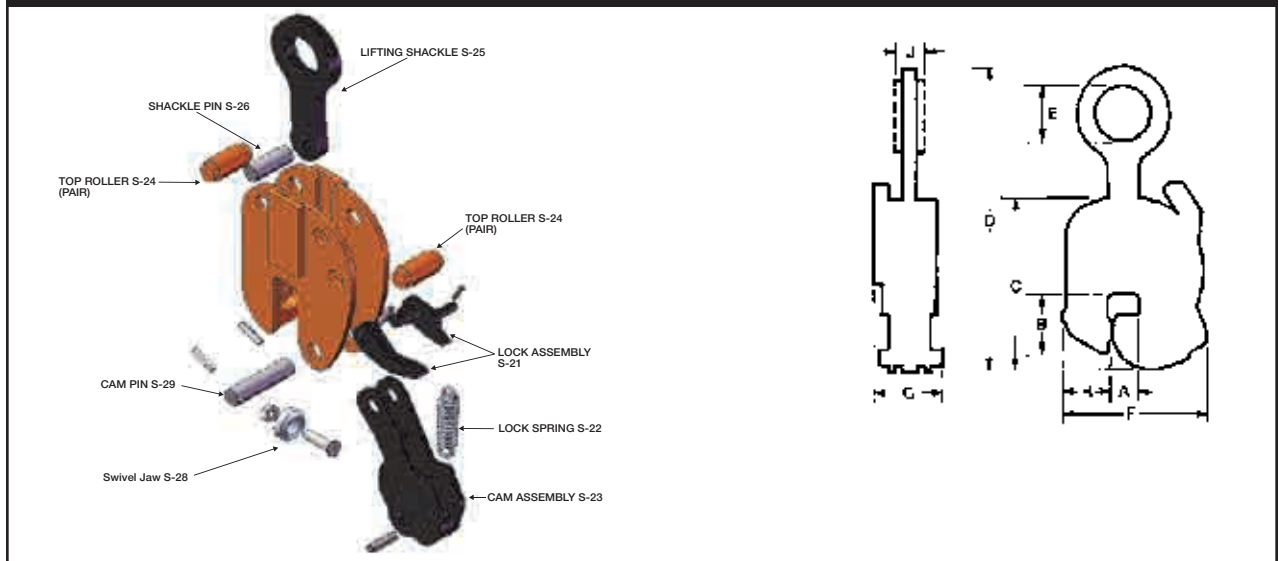
SPECIFICATIONS ARE SUBJECT TO CHANGE WITHOUT NOTICE.



Model S Locking Type

The **Model S** is a vertical lifting clamp and is an effective tool for construction and erection. It incorporates a “Lock Open,” “Lock Closed” feature which facilitates attaching and removing the clamp from the plate.

MODEL S EXPLODED VIEW



SPECIFICATIONS (in inches)

| Rated Capacity Tons | Plate Thickness A | B | C | MAX. D | E | F | G | H | J | Weight (in pounds) |
|------------------------|----------------------|--------|----------|-----------|---------|--------|---------|--------|-------|-----------------------|
| 1/2 | 0-5/8 | 2 | 5 1/16 | 7 1/2 | 1 1/8 | 4 1/4 | 2 1/8 | 1 1/4 | 3/8 | 4 |
| 1 | 0-3/4 | 2 | 5 1/8 | 7 3/4 | 1 1/8 | 4 3/8 | 2 3/16 | 1 3/8 | 1/2 | 5 |
| 2 | 0-1 | 3 1/16 | 10 | 17 | 3 3/8 | 8 1/2 | 3 13/16 | 2 3/4 | 3/4 | 32 |
| | 3/4-1 1/2 | 3 3/16 | 10 | 17 | 3 3/8 | 9 | 3 13/16 | 2 3/4 | 3/4 | 33 |
| | 1 1/4-2 | 3 3/16 | 10 | 17 | 3 3/8 | 9 1/2 | 3 13/16 | 2 3/4 | 3/4 | 33 |
| | 1 3/4-2 1/2 | 3 3/16 | 10 | 17 | 3 3/8 | 10 | 3 13/16 | 2 3/4 | 3/4 | 36 |
| 4 | 0-1 1/4 | 4 5/8 | 11 1/2 | 19 3/8 | 3 3/8 | 10 | 4 1/8 | 3 3/16 | 3/4 | 41 |
| | 1-2 | 4 5/8 | 11 1/2 | 19 3/8 | 3 3/8 | 10 3/4 | 4 1/8 | 3 3/16 | 3/4 | 43 |
| | 1 3/4-2 3/4 | 4 5/8 | 11 1/2 | 19 3/8 | 3 3/8 | 11 1/2 | 4 1/8 | 3 3/16 | 3/4 | 43 |
| | 2 1/2-3 1/2 | 4 5/8 | 11 1/2 | 19 3/8 | 3 3/8 | 12 1/4 | 4 1/8 | 3 3/16 | 3/4 | 52 |
| | 3 3/4-4 1/4 | 4 5/8 | 11 1/2 | 19 3/8 | 3 3/8 | 13 | 4 1/8 | 3 3/16 | 3/4 | 60 |
| 8 | 0-1 1/2 | 4 1/2 | 13 15/16 | 22 1/2 | 3 3/4 | 10 1/2 | 5 1/8 | 3 3/16 | 1 | 70 |
| | 1-2 | 4 1/2 | 13 15/16 | 22 1/2 | 3 3/4 | 11 | 5 1/8 | 3 3/16 | 1 | 73 |
| | 2-3 | 4 1/2 | 13 15/16 | 22 1/2 | 3 3/4 | 12 | 5 1/8 | 3 3/16 | 1 | 77 |
| | 2 3/4-4 | 4 1/2 | 13 15/16 | 22 1/2 | 3 3/4 | 13 | 5 1/8 | 3 3/16 | 1 | 81 |
| | 3 3/4-5 | 4 1/2 | 13 15/16 | 22 1/2 | 3 3/4 | 14 | 5 1/8 | 3 3/16 | 1 | 85 |
| 12 | 0-2 1/2 | 6 1/2 | 18 | 28 | 3 7/8 | 13 1/2 | 6 1/4 | 3 7/8 | 1 1/4 | 140 |
| | 1/2-3 | 6 1/2 | 18 | 28 | 3 7/8 | 14 | 6 1/4 | 3 7/8 | 1 1/4 | 140 |
| | 2-4 | 6 1/2 | 18 | 28 | 3 7/8 | 15 | 6 1/4 | 3 7/8 | 1 1/4 | 143 |
| | 4-6 | 6 1/2 | 18 | 28 | 3 7/8 | 17 | 6 1/4 | 3 7/8 | 1 1/4 | 150 |
| | 5 1/2-7 1/2 | 6 1/2 | 18 | 28 | 3 7/8 | 18 1/2 | 6 1/4 | 3 7/8 | 1 1/4 | 160 |
| 20 | 1/2-3 | 7 1/2 | 22 3/4 | 35 | 4 15/16 | 17 | 7 7/8 | 5 | 2 1/2 | 265 |
| | 3-5 | 7 1/2 | 22 3/4 | 35 | 4 15/16 | 19 | 7 7/8 | 5 | 2 1/2 | 294 |
| | 5-7 | 7 1/2 | 22 3/4 | 35 | 4 15/16 | 21 | 7 7/8 | 5 | 2 1/2 | 324 |
| | 7-9 | 7 1/2 | 22 3/4 | 35 | 4 15/16 | 23 | 7 7/8 | 5 | 2 1/2 | 350 |
| 50* | 1/2-3 | 8 3/8 | 27 5/8 | 41 | 4 3/4 | 22 | 9 1/4 | 6 5/8 | 3 | 470 |
| 100* | 1/2-3 | 13 1/2 | 34 | 44 | 4 15/16 | 26 | 12 1/2 | 10 1/2 | 4 | 1350 |

SPECIFICATIONS ARE SUBJECT TO CHANGE WITHOUT NOTICE. OTHER CAPACITIES AVAILABLE UPON REQUEST.

*For handling heavy plate or hot material, see Model R.

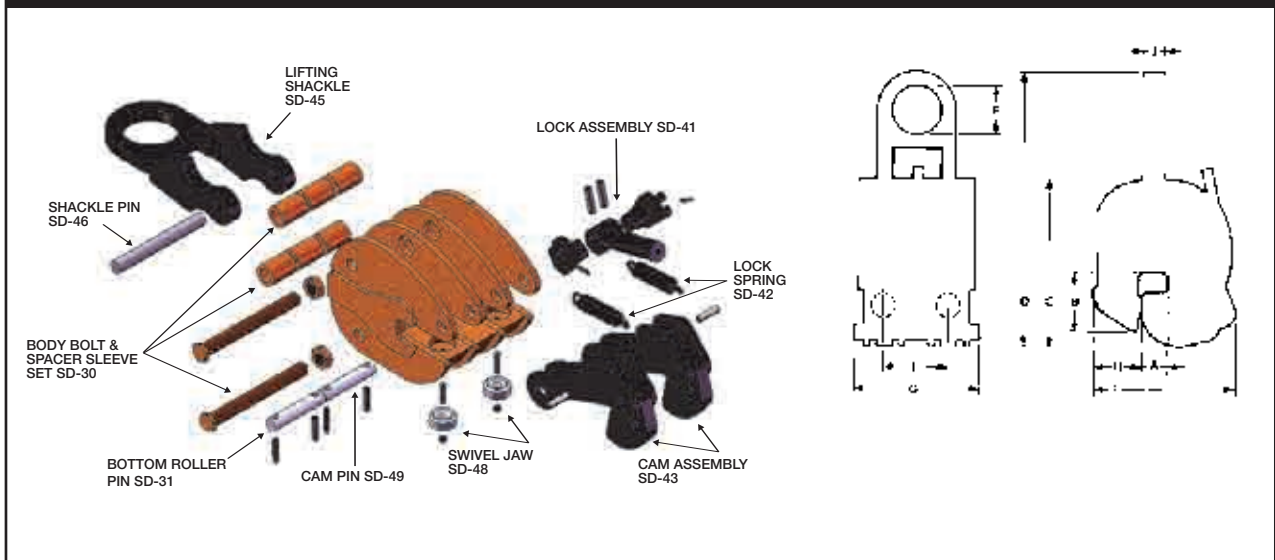
Model SD

Locking Type

The **SD** is a vertical lifting clamp that incorporates two Model S clamps into one and is used for heavy duty work where it is desirable to spread the gripping surfaces with two points of contact. It incorporates a "Lock Open," "Lock Closed" feature which facilitates attaching and removing the clamp from the plate.



MODEL SD EXPLODED VIEW



SPECIFICATIONS (in inches)

| Rated Capacity Tons | Plate Thickness | | MAX. D | E | F | G | H | I | J | Weight (in pounds) | |
|---------------------|-----------------|-------|--------|--------|---|-------|-------|-------|-------|--------------------|----|
| | A | B | | | | | | | | | |
| 6 | 0-1 | 3/4 | 9 1/2 | 15 1/2 | 3 | 7 1/2 | 6 1/2 | 2 1/8 | 4 1/8 | 3/4 | 60 |
| | 3/4-1 1/2 | 3/4 | 9 1/2 | 15 1/2 | 3 | 8 | 6 1/2 | 2 1/8 | 4 1/8 | 3/4 | 62 |
| 8 | 0-1 1/4 | 4 1/2 | 11 1/2 | 17 | 3 | 8 3/4 | 6 3/4 | 3 | 4 1/4 | 1 | 77 |
| | 1-2 | 4 1/2 | 11 1/2 | 17 | 3 | 9 1/2 | 6 3/4 | 3 | 4 1/4 | 1 | 81 |

SPECIFICATIONS ARE SUBJECT TO CHANGE WITHOUT NOTICE. OTHER CAPACITIES AVAILABLE UPON REQUEST.

VERTICAL + 90



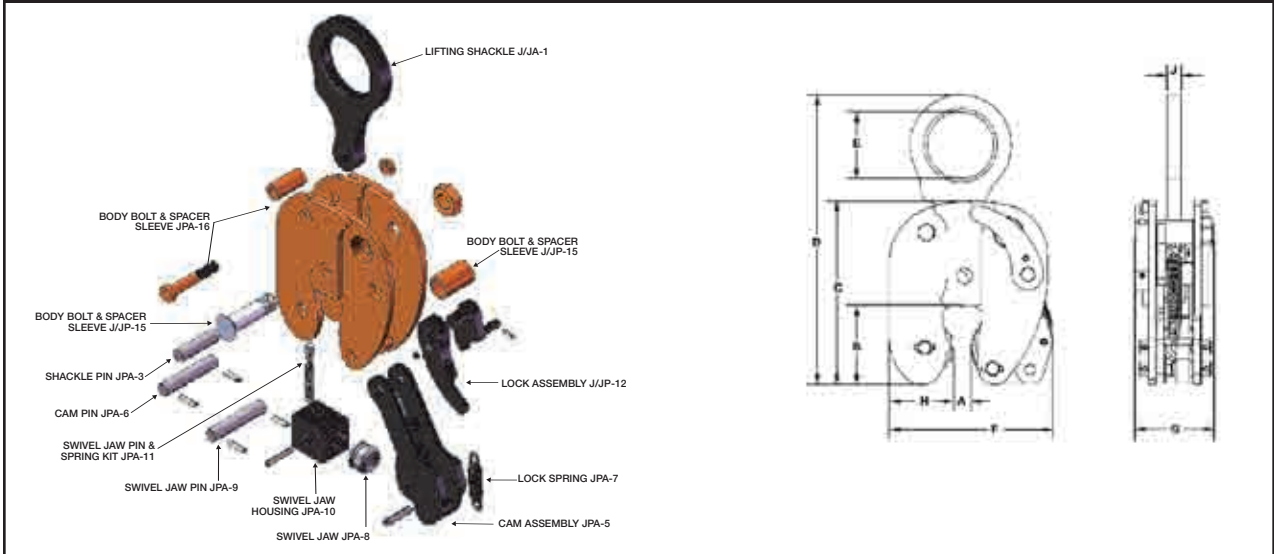


Model J

Locking Type

The **Model J** is a vertical lifting clamp capable of turning a single plate or member from horizontal to vertical and back to horizontal through the same 90 degree arc.

MODEL J EXPLODED VIEW



SPECIFICATIONS (in inches)

| Rated Capacity Tons | Plate Thickness | | MAX. | | | | | | | Weight (in pounds) |
|------------------------|-----------------|--------|----------|---------|-------|----------|---------|-------|-------|-----------------------|
| | A | B | C | D | E | F | G | H | J | |
| 1/2 | 0-5/8 | 2 3/4 | 6 1/2 | 12 | 2 3/8 | 5 5/8 | 3 1/4 | 2 1/4 | 1/2 | 10 |
| | 1/2-1 | 2 3/4 | 6 1/2 | 12 | 2 3/8 | 6 | 3 1/4 | 2 1/4 | 1/2 | |
| | 3/4-1 1/4 | 2 3/4 | 6 1/2 | 12 | 2 3/8 | 6 1/4 | 3 1/4 | 2 1/4 | 1/2 | |
| | 1 1/4-1 3/4 | 2 3/4 | 6 1/2 | 12 | 2 3/8 | 6 3/4 | 3 1/4 | 2 1/4 | 1/2 | |
| 1 | 0-3/4 | 3 3/8 | 7 3/4 | 13 3/4 | 2 5/8 | 7 | 3 1/2 | 2 5/8 | 5/8 | 15 |
| | 1/2-1 | 3 3/8 | 7 3/4 | 13 3/4 | 2 5/8 | 7 1/4 | 3 1/2 | 2 5/8 | 5/8 | |
| | 3/4-1 1/4 | 3 3/8 | 7 3/4 | 13 3/4 | 2 5/8 | 8 | 3 1/2 | 2 5/8 | 5/8 | |
| | 1-1 1/2 | 3 3/8 | 7 3/4 | 13 3/4 | 2 5/8 | 8 1/4 | 3 1/2 | 2 5/8 | 5/8 | |
| | 1 1/2-2 | 3 3/8 | 7 3/4 | 13 3/4 | 2 5/8 | 8 3/4 | 3 1/2 | 2 5/8 | 5/8 | |
| | | 3 3/8 | 7 3/4 | 13 3/4 | 2 5/8 | 8 3/4 | 3 1/2 | 2 5/8 | 5/8 | |
| 2 | 0-1 | 3 3/8 | 9 1/2 | 17 3/8 | 3 1/2 | 8 3/4 | 4 1/2 | 3 | 3/4 | 36 |
| | 3/4-1 1/2 | 3 3/8 | 9 1/2 | 17 3/8 | 3 1/2 | 9 1/4 | 4 1/2 | 3 | 3/4 | |
| | 1 1/4-2 | 3 3/8 | 9 1/2 | 17 3/8 | 3 1/2 | 9 3/4 | 4 1/2 | 3 | 3/4 | |
| | 2-2 3/4 | 3 3/8 | 9 1/2 | 17 3/8 | 3 1/2 | 10 1/2 | 4 1/2 | 3 | 3/4 | |
| 4 | 3/16-1 1/4 | 4 3/8 | 11 1/2 | 20 7/8 | 3 1/2 | 9 1/4 | 4 1/2 | 3 1/4 | 1 1/2 | 42 |
| | 1-2 | 4 3/8 | 11 1/2 | 20 7/8 | 3 1/2 | 10 | 4 1/2 | 3 1/4 | 1 1/2 | |
| | 2-3 | 4 3/8 | 11 1/2 | 20 7/8 | 3 1/2 | 11 | 4 1/2 | 3 1/4 | 1 1/2 | |
| | 3-4 | 4 3/8 | 11 1/2 | 20 7/8 | 3 1/2 | 12 | 4 1/2 | 3 1/4 | 1 1/2 | |
| 6 | 1/4-1 3/8 | 4 7/8 | 12 3/8 | 20 7/8 | 3 1/2 | 10 3/4 | 4 3/4 | 3 3/4 | 1 1/2 | 64 |
| | 1-2 1/2 | 4 7/8 | 12 3/8 | 20 7/8 | 3 1/2 | 11 1/2 | 4 3/4 | 3 3/4 | 1 1/2 | |
| | 2-3 1/2 | 4 7/8 | 12 3/8 | 20 7/8 | 3 1/2 | 12 1/2 | 4 3/4 | 3 3/4 | 1 1/2 | |
| | 3-4 1/2 | 4 7/8 | 12 3/8 | 20 7/8 | 3 1/2 | 13 1/2 | 4 3/4 | 3 3/4 | 1 1/2 | |
| 8 | 3/8-1 1/2 | 5 3/8 | 12 3/4 | 22 3/8 | 3 3/4 | 12 3/8 | 5 1/4 | 4 1/4 | 2 | 83 |
| | 1-2 1/2 | 5 3/8 | 12 3/4 | 22 3/8 | 3 3/4 | 13 | 5 1/4 | 4 1/4 | 2 | |
| | 2-3 1/2 | 5 3/8 | 12 3/4 | 22 3/8 | 3 3/4 | 14 3/8 | 5 1/4 | 4 1/4 | 2 | |
| | 3-4 1/2 | 5 3/8 | 12 3/4 | 22 3/8 | 3 3/4 | 15 3/8 | 5 1/4 | 4 1/4 | 2 | |
| 12 | 1/2-2 1/2 | 7 1/4 | 17 3/8 | 28 1/8 | 3 7/8 | 15 15/16 | 7 1/8 | 5 3/8 | 2 | 203 |
| | 2-4 | 7 1/4 | 17 3/8 | 28 1/8 | 3 7/8 | 17 1/16 | 7 1/8 | 5 3/8 | 2 | 212 |
| | 4-6 | 7 1/4 | 17 3/8 | 28 1/8 | 3 7/8 | 19 1/16 | 7 1/8 | 5 3/8 | 2 | 222 |
| 16 | 1/2-2 1/2 | 8 | 19 13/16 | 32 7/16 | 4 1/2 | 19 13/16 | 8 11/16 | 6 1/4 | 2 1/4 | 350 |
| 20 | 1/2-3 | 8 5/8 | 21 13/16 | 35 1/8 | 5 | 21 | 11 1/2 | 6 7/8 | 2 3/4 | 456 |
| 25 | 1/2-2 1/2 | 8 5/8 | 23 5/8 | 35 7/8 | 5 | 19 1/16 | 9 5/8 | 6 3/4 | 3 | 483 |
| | 3-5 | 8 5/8 | 23 5/8 | 35 7/8 | 5 | 21 9/16 | 9 5/8 | 6 3/4 | 3 | 495 |
| | 4-6 | 8 5/8 | 23 5/8 | 35 7/8 | 5 | 22 9/16 | 9 5/8 | 6 3/4 | 3 | 502 |
| 30 | 1/2-3 | 9 1/16 | 24 1/4 | 39 7/8 | 5 | 22 13/16 | 14 9/16 | 7 5/8 | 3 | 625 |
| 50 | 3-5 | 10 7/8 | 30 7/8 | 46 7/16 | 5 | 29 3/16 | 11 1/8 | 9 1/4 | 3 1/2 | 1306 |

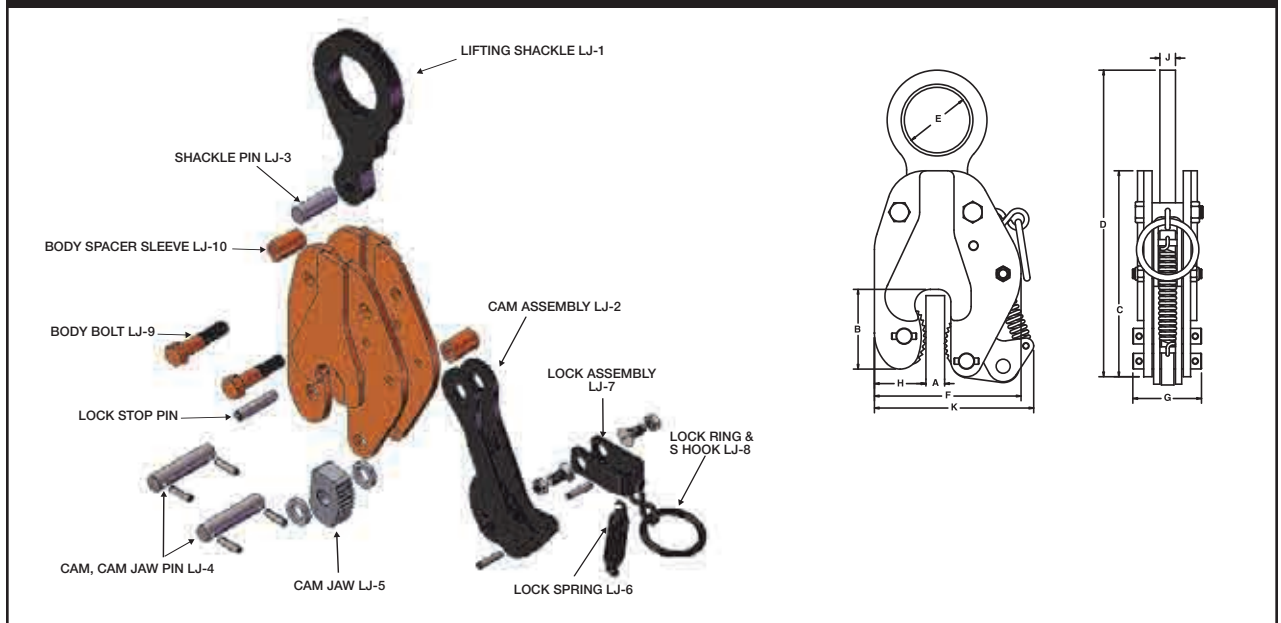
Consult factory for possible larger capacities. SPECIFICATIONS ARE SUBJECT TO CHANGE WITHOUT NOTICE



Model LJ Locking Type

The **MODEL LJ** is a vertical lifting clamp capable of turning a plate from horizontal to vertical and back through the same ninety-degree arc. It is small and easy to handle in capacities through three tons. The Model LJ incorporates a “Lock Closed” feature, which facilitates attaching the clamp to the plate.

MODEL LJ EXPLODED VIEW



SPECIFICATIONS (in inches)

| Rated Capacity Tons | Plate Thickness A | B | C | MAX. D | E | F | G | H | J | K | Weight (in pounds) |
|------------------------|---------------------------------|-------------------------------|--------------------------------|----------------------------------|-------------------------------|--------------------------------|-------------------------------|--------------------------------|-----|--------------------------------|-----------------------|
| 1/2 | 0-3/4 | 2 ⁵ / ₈ | 6 ⁵ / ₈ | 10 ¹ / ₄ | 2 ¹ / ₄ | 5 | 2 ³ / ₈ | 1 ⁷ / ₈ | 1/2 | 5 | 9 |
| 1 | 0-3/4 | 3 ³ / ₈ | 8 ¹ / ₄ | 13 ⁷ / ₁₆ | 2 ⁵ / ₈ | 5 ⁷ / ₈ | 2 ⁷ / ₈ | 2 ¹ / ₁₆ | 5/8 | 6 ⁷ / ₁₆ | 15 |
| 2 | 0-1 | 3 ⁵ / ₈ | 9 | 15 ¹³ / ₁₆ | 3 ⁵ / ₈ | 7 ¹ / ₄ | 3 ¹ / ₄ | 2 ⁷ / ₈ | 3/4 | 7 ⁵ / ₈ | 26 |
| 3 | 0-1 ¹ / ₄ | 4 ¹ / ₄ | 10 ³ / ₄ | 18 | 3 ⁵ / ₈ | 8 ³ / ₁₆ | 3 ⁵ / ₈ | 3 | 3/4 | 8 ³ / ₈ | 34 |

SPECIFICATIONS ARE SUBJECT TO CHANGE WITHOUT NOTICE.

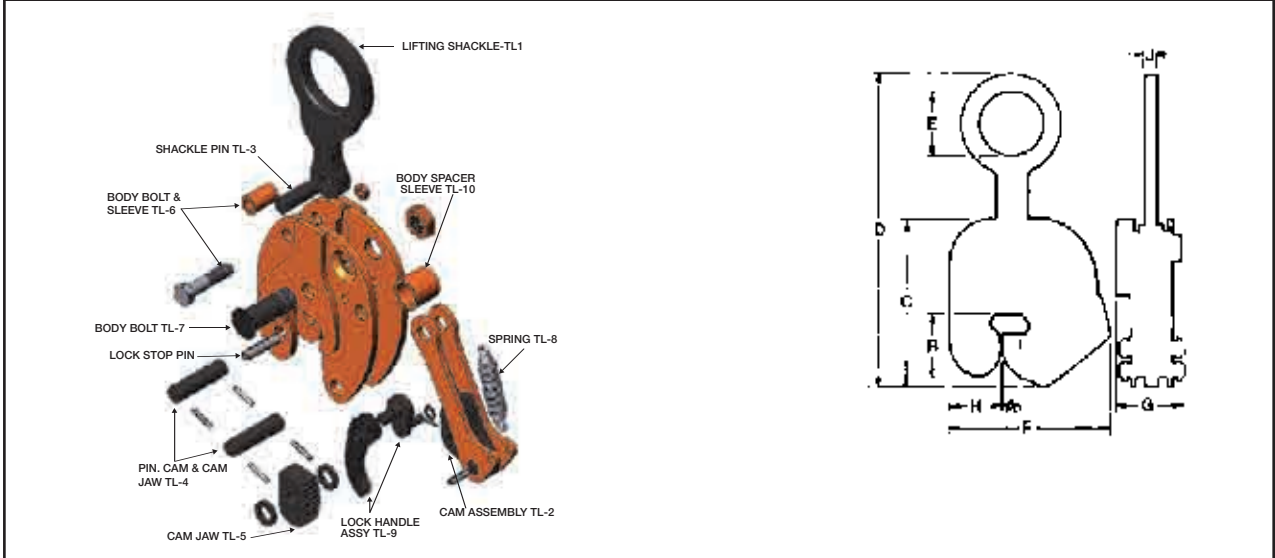


Model TL

Locking Type

The **Model TL** is a vertical lifting clamp capable of turning a single plate or member from horizontal to vertical and back to horizontal through the same 90 degree arc.

MODEL TL EXPLODED VIEW



SPECIFICATIONS (in inches)

| Rated Capacity Tons | Plate Thickness A | B | C | MAX. D | E | MAX. F | G | H | J | Weight (in pounds) |
|------------------------|-------------------------|---------|---------|-----------|-------|-----------|---------|---------|-------|-----------------------|
| 1/2 | 0-5/8 | 2 3/8 | 6 1/4 | 11 1/8 | 2 3/8 | 4 3/4 | 2 3/4 | 1 13/16 | 1/2 | 9 |
| | 5/8-1 | 2 3/8 | 6 1/4 | 11 1/8 | 2 3/8 | 5 1/8 | 2 3/4 | 1 13/16 | 1/2 | 10 |
| | 1-1 1/4 | 2 3/8 | 6 1/4 | 11 1/8 | 2 3/8 | 5 3/8 | 2 3/4 | 1 13/16 | 1/2 | 11 |
| | 1 1/4-1 3/4 | 2 3/8 | 6 1/4 | 11 1/8 | 2 3/8 | 5 3/8 | 2 3/4 | 1 13/16 | 1/2 | 13 |
| 1 | 0-3/4 | 3 | 7 1/2 | 13 1/8 | 2 5/8 | 6 | 2 13/16 | 2 | 5/8 | 14 |
| | 3/4-1 | 3 | 7 1/2 | 13 1/8 | 2 5/8 | 6 1/4 | 2 13/16 | 2 | 5/8 | 15 |
| | 1-1 1/4 | 3 | 7 1/2 | 13 1/8 | 2 5/8 | 6 1/2 | 2 13/16 | 2 | 5/8 | 16 |
| | 1 1/4-1 1/2 | 3 | 7 1/2 | 13 1/8 | 2 5/8 | 6 3/4 | 2 13/16 | 2 | 5/8 | 17 |
| 2 | 1 1/2-2 | 3 | 7 1/2 | 13 1/8 | 2 5/8 | 7 1/4 | 2 13/16 | 2 | 5/8 | 18 |
| | 0-1 | 3 1/2 | 9 3/8 | 16 1/4 | 3 3/8 | 8 3/8 | 3 3/4 | 2 7/8 | 3/4 | 32 |
| | 3/4-1 1/2 | 3 1/2 | 9 3/8 | 16 1/4 | 3 3/8 | 9 3/8 | 3 3/4 | 2 7/8 | 3/4 | 33 |
| | 1 1/4-2 | 3 1/2 | 9 3/8 | 16 1/4 | 3 3/8 | 9 3/8 | 3 3/4 | 2 7/8 | 3/4 | 35 |
| 4 | 2-2 3/4 | 3 1/2 | 9 3/8 | 16 1/4 | 3 3/8 | 10 3/8 | 3 3/4 | 2 7/8 | 3/4 | 37 |
| | 3/8-1 1/4 | 4 | 9 7/8 | 17 5/8 | 3 5/8 | 9 | 3 13/16 | 3 | 3/4 | 36 |
| | 1-2 | 4 | 9 7/8 | 17 5/8 | 3 5/8 | 9 3/4 | 3 13/16 | 3 | 3/4 | 37 |
| | 2-3 | 4 | 9 7/8 | 17 5/8 | 3 5/8 | 10 3/4 | 3 13/16 | 3 | 3/4 | 40 |
| 6 | 3-4 | 4 | 9 7/8 | 17 5/8 | 3 5/8 | 11 3/4 | 3 13/16 | 3 | 3/4 | 43 |
| | 1/4-1 3/8 | 4 3/8 | 11 1/8 | 20 3/8 | 3 1/2 | 10 3/4 | 3 3/8 | 3 3/8 | 3/4 | 49 |
| | 1-2 1/8 | 4 3/8 | 11 1/8 | 20 3/8 | 3 1/2 | 11 | 3 3/8 | 3 3/8 | 3/4 | 51 |
| | 2-3 1/8 | 4 3/8 | 11 1/8 | 20 3/8 | 3 1/2 | 12 | 3 3/8 | 3 3/8 | 3/4 | 54 |
| 8 | 3-4 1/8 | 4 3/8 | 11 1/8 | 20 3/8 | 3 1/2 | 13 | 3 3/8 | 3 3/8 | 3/4 | 57 |
| | 3/8-1 1/2 | 4 13/16 | 12 3/16 | 21 5/16 | 3 3/4 | 11 1/2 | 4 3/4 | 3 7/8 | 1 | 72 |
| | 1-2 1/8 | 4 13/16 | 12 3/16 | 21 5/16 | 3 3/4 | 12 1/2 | 4 3/4 | 3 7/8 | 1 | 74 |
| | 2-3 1/8 | 4 13/16 | 12 3/16 | 21 5/16 | 3 3/4 | 13 1/2 | 4 3/4 | 3 7/8 | 1 | 77 |
| 12 | 3-4 1/8 | 4 13/16 | 12 3/16 | 21 5/16 | 3 3/4 | 14 1/2 | 4 3/4 | 3 7/8 | 1 | 80 |
| | 1/2-2 1/2 | 6 1/4 | 15 1/8 | 26 3/16 | 3 7/8 | 14 1/2 | 6 3/4 | 4 3/8 | 1 3/4 | 142 |
| | 2-4 | 6 1/4 | 15 1/8 | 26 3/16 | 3 7/8 | 16 | 6 3/4 | 4 3/8 | 1 3/4 | 150 |
| | 3-5 | 6 1/4 | 15 1/8 | 26 3/16 | 3 7/8 | 17 | 6 3/4 | 4 3/8 | 1 3/4 | 154 |
| 20 | 4-6 | 6 1/4 | 15 1/8 | 26 3/16 | 3 7/8 | 18 | 6 3/4 | 4 3/8 | 1 3/4 | 158 |
| | 1/2-3 | 8 1/8 | 21 3/4 | 36 11/16 | 5 | 20 11/16 | 8 1/8 | 6 3/16 | 2 3/4 | 415 |
| | 2 1/2-4 1/2 | 8 1/8 | 21 3/4 | 36 11/16 | 5 | 22 3/16 | 8 1/8 | 6 3/16 | 2 3/4 | 426 |
| | 3-5 | 8 1/8 | 21 3/4 | 36 11/16 | 5 | 22 11/16 | 8 1/8 | 6 3/16 | 2 3/4 | 430 |
| 445 | 5-7 | 8 1/8 | 21 3/4 | 36 11/16 | 5 | 24 11/16 | 8 1/8 | 6 3/16 | 2 3/4 | 445 |

Consult factory for possible larger capacities. SPECIFICATIONS ARE SUBJECT TO CHANGE WITHOUT NOTICE

VERTICAL + 90 + SIDE PULL





Model JP

Locking Type

The **Model JP** is a vertical lifting clamp capable of turning a single plate or member from horizontal to vertical and back to horizontal through the same 90 degree arc. Permits side loading of lifting shackle up to 90 degrees by derating of clamp's rated capacity. Refer to FIGURE 1 for derated capacities.

Model JP incorporates a pivoting shackle that permits side loading of the lifting shackle at 100 percent of rated capacity from vertical to 30 degrees, 75 percent of rated capacity between 30 and 45 degrees and 50 percent of rated capacity between 45 and 90 degrees

MODEL JP EXPLODED VIEW

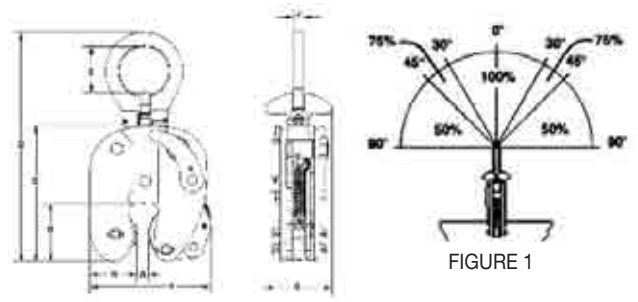
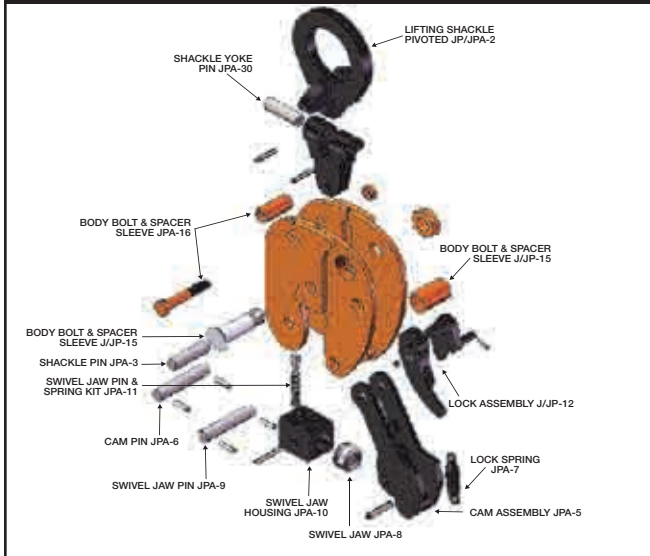


FIGURE 1

SPECIFICATIONS (in inches)

| Rated Capacity Tons | Plate Thickness A | B | C | MAX. D | E | MAX. F | G | H | J | Weight (in pounds) |
|---------------------|-------------------|--------|----------|---------|-------|----------|---------|-------|-------|--------------------|
| 1/2 | 0-5/8 | 2 3/4 | 6 1/2 | 12 | 2 5/8 | 5 5/8 | 3 1/4 | 2 1/4 | 1/2 | 12 |
| | 5/8-1 | 2 3/4 | 6 1/2 | 12 | 2 5/8 | 6 | 3 1/4 | 2 1/4 | 1/2 | |
| | 1-1 1/4 | 2 3/4 | 6 1/2 | 12 | 2 5/8 | 6 1/4 | 3 1/4 | 2 1/4 | 1/2 | |
| | 1 1/4-1 3/4 | 2 3/4 | 6 1/2 | 12 | 2 5/8 | 6 3/4 | 3 1/4 | 2 1/4 | 1/2 | |
| 1 | 0-3/4 | 3 3/8 | 7 3/4 | 13 3/4 | 2 5/8 | 7 | 3 1/2 | 2 5/8 | 5/8 | 20 |
| | 3/4-1 | 3 3/8 | 7 3/4 | 13 3/4 | 2 5/8 | 7 1/4 | 3 1/2 | 2 5/8 | 5/8 | |
| | 1-1 1/4 | 3 3/8 | 7 3/4 | 13 3/4 | 2 5/8 | 8 | 3 1/2 | 2 5/8 | 5/8 | |
| | 1 1/4-2 | 3 3/8 | 7 3/4 | 13 3/4 | 2 5/8 | 8 1/4 | 3 1/2 | 2 5/8 | 5/8 | |
| 2 | 0-1 | 3 5/8 | 9 1/2 | 17 3/8 | 3 1/2 | 8 3/4 | 4 1/2 | 3 | 3/4 | 40 |
| | 1-1 1/4 | 3 5/8 | 9 1/2 | 17 3/8 | 3 1/2 | 9 1/4 | 4 1/2 | 3 | 3/4 | |
| | 1 1/4-2 | 3 5/8 | 9 1/2 | 17 3/8 | 3 1/2 | 9 3/4 | 4 1/2 | 3 | 3/4 | |
| | 2-2 1/4 | 3 5/8 | 9 1/2 | 17 3/8 | 3 1/2 | 10 1/2 | 4 1/2 | 3 | 3/4 | |
| 4 | 3/8-1 1/4 | 4 3/8 | 11 1/2 | 20 1/8 | 3 1/2 | 9 3/4 | 4 1/2 | 3 3/4 | 1 1/2 | 50 |
| | 1-2 | 4 3/8 | 11 1/2 | 20 1/8 | 3 1/2 | 10 | 4 1/2 | 3 3/4 | 1 1/2 | |
| | 2-3 | 4 3/8 | 11 1/2 | 20 1/8 | 3 1/2 | 11 | 4 1/2 | 3 3/4 | 1 1/2 | |
| | 3-4 | 4 3/8 | 11 1/2 | 20 1/8 | 3 1/2 | 12 | 4 1/2 | 3 3/4 | 1 1/2 | |
| 6 | 1/4-1 3/8 | 4 7/8 | 12 3/8 | 20 7/8 | 3 1/2 | 10 3/4 | 4 3/4 | 3 3/4 | 1 3/4 | 72 |
| | 1-2 1/8 | 4 7/8 | 12 3/8 | 20 7/8 | 3 1/2 | 11 1/2 | 4 3/4 | 3 3/4 | 1 3/4 | |
| | 2-3 1/8 | 4 7/8 | 12 3/8 | 20 7/8 | 3 1/2 | 12 1/2 | 4 3/4 | 3 3/4 | 1 3/4 | |
| | 3-4 1/8 | 4 7/8 | 12 3/8 | 20 7/8 | 3 1/2 | 13 1/2 | 4 3/4 | 3 3/4 | 1 3/4 | |
| 8 | 3/8-1 1/2 | 5 3/8 | 12 3/4 | 22 5/8 | 3 3/4 | 12 3/8 | 5 1/4 | 4 1/4 | 2 | 93 |
| | 1-2 1/8 | 5 3/8 | 12 3/4 | 22 5/8 | 3 3/4 | 13 | 5 1/4 | 4 1/4 | 2 | |
| | 2-3 1/8 | 5 3/8 | 12 3/4 | 22 5/8 | 3 3/4 | 14 3/8 | 5 1/4 | 4 1/4 | 2 | |
| | 3-4 1/8 | 5 3/8 | 12 3/4 | 22 5/8 | 3 3/4 | 15 3/8 | 5 1/4 | 4 1/4 | 2 | |
| 12 | 1/2-2 1/2 | 7 1/4 | 17 3/8 | 28 1/8 | 3 3/8 | 15 15/16 | 7 1/16 | 5 5/8 | 2 | 203 |
| | 2-4 | 7 1/4 | 17 3/8 | 28 1/8 | 3 3/8 | 17 1/16 | 7 1/16 | 5 5/8 | 2 | 212 |
| | 4-6 | 7 1/4 | 17 3/8 | 28 1/8 | 3 3/8 | 19 1/16 | 7 1/16 | 5 5/8 | 2 | 222 |
| 16 | 1/2-2 1/2 | 8 | 19 13/16 | 32 5/16 | 4 1/2 | 19 13/16 | 8 11/16 | 6 1/4 | 2 1/4 | 350 |
| 20 | 1/2-3 | 8 5/8 | 21 13/16 | 35 7/8 | 5 | 21 | 11 1/2 | 6 7/8 | 2 3/4 | 456 |
| 25 | 1/2-2 1/2 | 8 5/8 | 23 5/8 | 35 7/8 | 5 | 19 1/16 | 9 5/8 | 6 3/4 | 3 | 483 |
| | 3-5 | 8 5/8 | 23 5/8 | 35 7/8 | 5 | 21 9/16 | 9 5/8 | 6 3/4 | 3 | 495 |
| | 4-6 | 8 5/8 | 23 5/8 | 35 7/8 | 5 | 22 7/16 | 9 5/8 | 6 3/4 | 3 | 502 |
| 30 | 1/2-3 | 9 9/16 | 24 1/4 | 39 3/8 | 5 | 22 13/16 | 14 9/16 | 7 5/8 | 3 | 625 |
| 50 | 3-5 | 10 7/8 | 30 7/8 | 46 7/16 | 5 | 29 3/16 | 11 1/8 | 9 1/4 | 3 1/2 | 1306 |

Consult factory for possible larger capacities. SPECIFICATIONS ARE SUBJECT TO CHANGE WITHOUT NOTICE

VERTICAL + 180



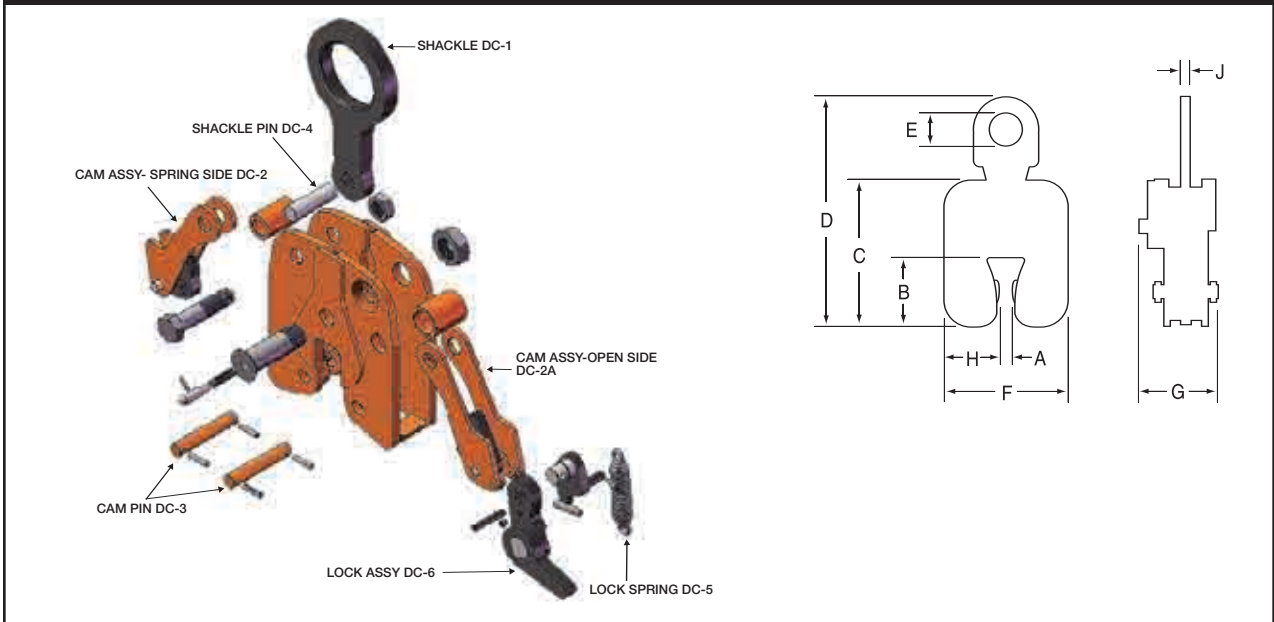
Model DC

Locking Type

Model DC is vertical lifting, locking and 180° turning clamp. The DC's unique design, utilizing two movable gripping cams, allows this clamp to lift any load within its plate size range from 0 up to 6 ton with a 300 Brinell hardness or less.



MODEL DC EXPLODED VIEW



SPECIFICATIONS (in inches)

| Model | Rated Capacity Tons | Plate Thickness A | B | MAX. C | D | E | F | G | H | J | Weight (in pounds) |
|-------|---------------------|-------------------|--------|--------|--------|-------|--------|-------|-------|-------|--------------------|
| DC-A | 1/2 | 0 - 5/8 | 2 5/16 | 5 | 7 7/8 | 1 1/8 | 4 3/8 | 2 5/8 | 1 7/8 | 5/16 | 6 |
| DC-B | 1/2 | 0 - 3/4 | 2 9/16 | 6 5/16 | 9 1/4 | 1 1/8 | 5 1/2 | 2 3/4 | 2 3/8 | 5/16 | 9 |
| DC-C | 1/2 | 3/4 - 1 1/2 | 2 9/16 | 6 3/8 | 9 1/2 | 1 1/8 | 6 1/4 | 2 3/4 | 2 3/8 | 5/16 | 10 |
| DC | 1 | 0 - 1 1/8 | 3 3/8 | 7 5/16 | 12 1/8 | 2 5/8 | 6 3/8 | 3 3/4 | 2 5/8 | 5/16 | 15 |
| DC | 3 | 0 - 3/4 | 4 3/4 | 9 1/4 | 17 1/4 | 3 5/8 | 8 | 4 3/8 | 3 5/8 | 3/4 | 30 |
| DC | 6 | 0 - 1 | 5 7/8 | 11 1/2 | 19 | 3 1/2 | 10 1/2 | 4 3/4 | 4 3/4 | 1 1/2 | 54 |
| DC | 6 | 2-3 | 5 7/8 | 11 5/8 | 19 | 3 1/2 | 10 7/8 | 4 3/4 | 4 | 1 1/2 | 51 |
| DC | 6 | 1 1/2 - 3 | 5 7/8 | 11 5/8 | 19 | 3 1/2 | 10 7/8 | 4 3/4 | 4 | 1 1/2 | 51 |

SPECIFICATIONS ARE SUBJECT TO CHANGE WITHOUT NOTICE.

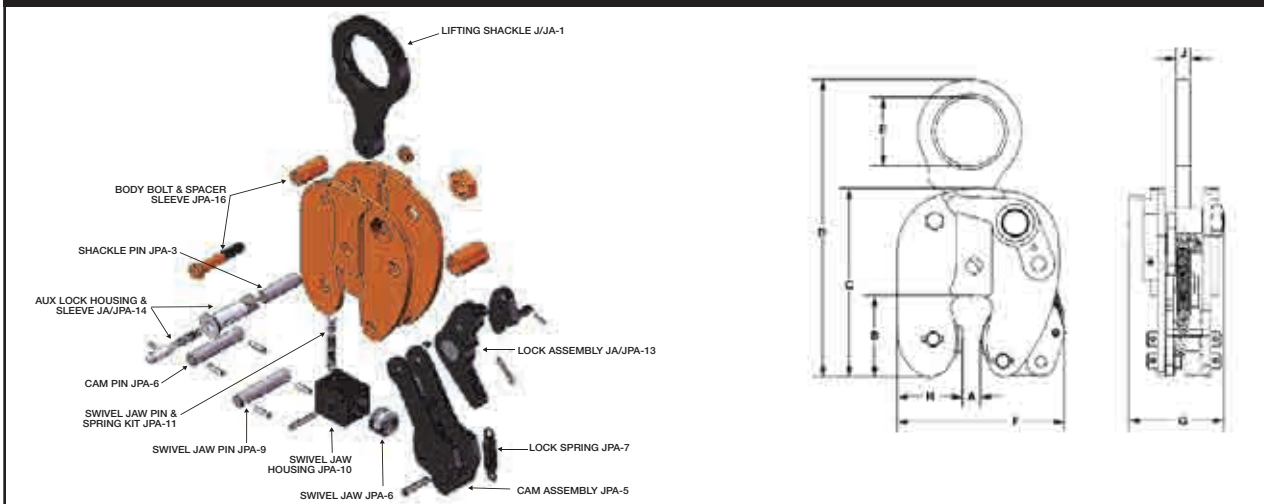


Model JA

Locking Type

The **Model JA** is a vertical lifting clamp capable of turning a single plate or member from horizontal to vertical to horizontal through a 180 degree arc. Incorporates a push button auxiliary lock.

MODEL JA EXPLODED VIEW



SPECIFICATIONS (in inches)

| Rated Capacity Tons | Plate Thickness A | B | C | MAX. D | E | MAX. F | G | H | J | Weight (in pounds) |
|------------------------|----------------------|--------|----------|-----------|-------|-----------|---------|-------|-------|-----------------------|
| 1/2 | 0-5/8 | 2 3/4 | 6 1/2 | 12 | 2 3/8 | 5 5/8 | 3 3/4 | 2 1/4 | 1/2 | 10 |
| | 1/2-1 | 2 3/4 | 6 1/2 | 12 | 2 3/8 | 6 | 3 3/4 | 2 1/4 | 1/2 | |
| | 3/4-1 1/4 | 2 3/4 | 6 1/2 | 12 | 2 3/8 | 6 1/4 | 3 3/4 | 2 1/4 | 1/2 | |
| 1 | 0-3/4 | 3 3/8 | 7 3/4 | 13 3/4 | 2 5/8 | 7 | 3 1/2 | 2 5/8 | 5/8 | 15 |
| | 1/2-1 | 3 3/8 | 7 3/4 | 13 3/4 | 2 5/8 | 7 1/4 | 3 1/2 | 2 5/8 | 5/8 | |
| | 3/4-1 1/4 | 3 3/8 | 7 3/4 | 13 3/4 | 2 5/8 | 8 | 3 1/2 | 2 5/8 | 5/8 | |
| | 1-1 1/2 | 3 3/8 | 7 3/4 | 13 3/4 | 2 5/8 | 8 1/4 | 3 1/2 | 2 5/8 | 5/8 | |
| 2 | 0-1 | 3 5/8 | 9 1/2 | 17 3/8 | 3 1/2 | 8 3/4 | 4 1/2 | 3 | 3/4 | 36 |
| | 3/4-1 1/2 | 3 5/8 | 9 1/2 | 17 3/8 | 3 1/2 | 9 1/4 | 4 1/2 | 3 | 3/4 | |
| | 1 1/4-2 | 3 5/8 | 9 1/2 | 17 3/8 | 3 1/2 | 9 3/4 | 4 1/2 | 3 | 3/4 | |
| | 2-2 3/4 | 3 5/8 | 9 1/2 | 17 3/8 | 3 1/2 | 10 1/2 | 4 1/2 | 3 | 3/4 | |
| 4 | 3/4-1 1/4 | 4 3/8 | 11 1/2 | 20 3/8 | 3 1/2 | 9 3/4 | 4 1/2 | 3 3/4 | 1 1/2 | 42 |
| | 1-2 | 4 3/8 | 11 1/2 | 20 3/8 | 3 1/2 | 10 | 4 1/2 | 3 3/4 | 1 1/2 | |
| | 2-3 | 4 3/8 | 11 1/2 | 20 3/8 | 3 1/2 | 11 | 4 1/2 | 3 3/4 | 1 1/2 | |
| | 3-4 | 4 3/8 | 11 1/2 | 20 3/8 | 3 1/2 | 12 | 4 1/2 | 3 3/4 | 1 1/2 | |
| 6 | 1/4-1 3/8 | 4 7/8 | 12 3/8 | 20 3/8 | 3 1/2 | 10 3/4 | 4 3/4 | 3 3/4 | 1 1/2 | 64 |
| | 1-2 1/8 | 4 7/8 | 12 3/8 | 20 3/8 | 3 1/2 | 11 1/2 | 4 3/4 | 3 3/4 | 1 1/2 | |
| | 2-3 1/8 | 4 7/8 | 12 3/8 | 20 3/8 | 3 1/2 | 12 1/2 | 4 3/4 | 3 3/4 | 1 1/2 | |
| | 3-4 1/8 | 4 7/8 | 12 3/8 | 20 3/8 | 3 1/2 | 13 1/2 | 4 3/4 | 3 3/4 | 1 1/2 | |
| 8 | 3/8-1 1/2 | 5 3/8 | 12 3/4 | 22 3/8 | 3 3/4 | 12 3/8 | 5 1/4 | 4 1/4 | 2 | 83 |
| | 1-2 1/8 | 5 3/8 | 12 3/4 | 22 3/8 | 3 3/4 | 13 | 5 1/4 | 4 1/4 | 2 | |
| | 2-3 1/8 | 5 3/8 | 12 3/4 | 22 3/8 | 3 3/4 | 14 3/8 | 5 1/4 | 4 1/4 | 2 | |
| | 3-4 1/8 | 5 3/8 | 12 3/4 | 22 3/8 | 3 3/4 | 15 3/8 | 5 1/4 | 4 1/4 | 2 | |
| 12 | 1/2-2 1/2 | 7 1/4 | 17 3/8 | 28 1/8 | 3 7/8 | 15 15/16 | 7 1/16 | 5 3/8 | 2 | 203 |
| | 2-4 | 7 1/4 | 17 3/8 | 28 3/8 | 3 7/8 | 17 1/16 | 7 1/16 | 5 5/8 | 2 | |
| | 4-6 | 7 1/4 | 17 3/8 | 28 5/8 | 3 7/8 | 19 1/16 | 7 1/16 | 5 5/8 | 2 | |
| 16 | 1/2-2 1/2 | 8 | 19 13/16 | 32 5/16 | 4 1/2 | 19 13/16 | 8 11/16 | 6 1/4 | 2 1/4 | 350 |
| 20 | 1/2-3 | 8 5/8 | 21 13/16 | 35 7/8 | 5 | 21 | 11 1/2 | 6 7/8 | 2 3/4 | 456 |
| 25 | 1/2-2 1/2 | 8 5/8 | 23 3/8 | 35 7/8 | 5 | 19 1/16 | 9 5/8 | 6 3/4 | 3 | 483 |
| | 3-5 | 8 5/8 | 23 3/8 | 35 7/8 | 5 | 21 1/16 | 9 5/8 | 6 3/4 | 3 | |
| | 4-6 | 8 5/8 | 23 3/8 | 35 7/8 | 5 | 22 3/16 | 9 5/8 | 6 3/4 | 3 | |
| 30 | 1/2-3 | 9 9/16 | 24 1/4 | 39 7/8 | 5 | 22 13/16 | 14 9/16 | 7 5/8 | 3 | 625 |
| 50 | 3-5 | 10 7/8 | 30 7/8 | 46 7/16 | 5 | 29 7/16 | 11 3/8 | 9 1/4 | 3 1/2 | 1306 |

Consult factory for possible larger capacities. SPECIFICATIONS ARE SUBJECT TO CHANGE WITHOUT NOTICE

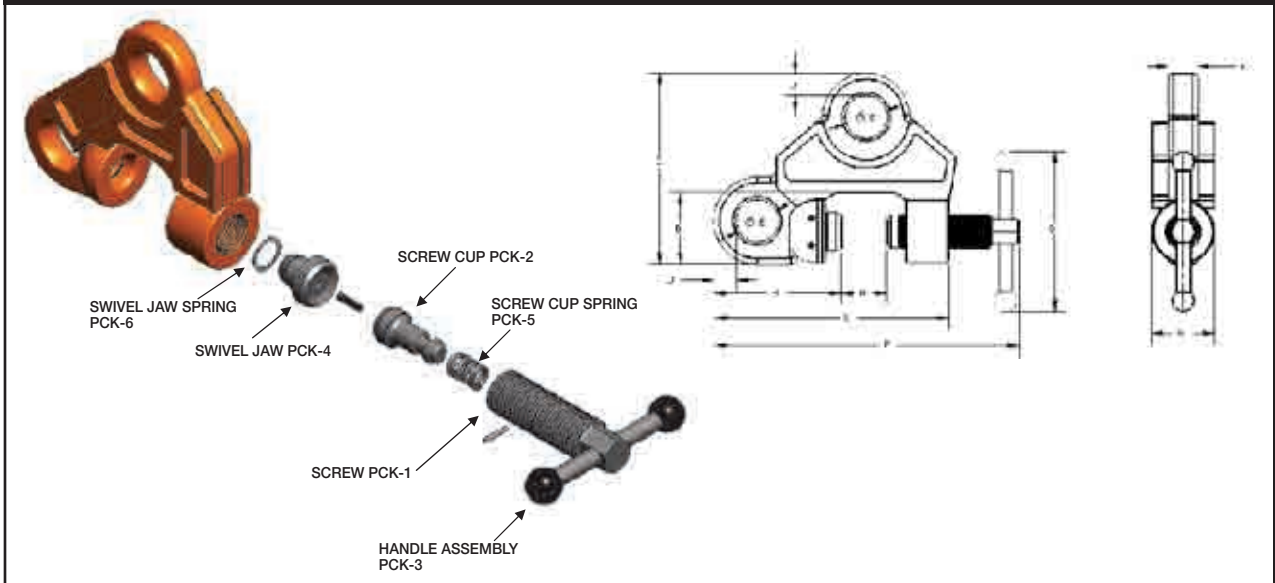
VERTICAL + 180

Model PCK-SL Locking, Screw Type



The PCK Locking Screw Clamp is a versatile multipurpose lifting turning pulling clamp capable of lift and turn operations from the horizontal through 180 degrees arc. The clamp can also be used for the assembling of steel plates, structural members and welded sections. The clamp is generally used in pairs for the purpose of drawing two plates or members together or to a predetermined position adjacent to each other. The adjusting screw is used to accommodate various thicknesses of material and to facilitate the attachment of the clamp to the member being worked on.

MODEL PCK EXPLODED VIEW



SPECIFICATIONS (in inches)

| Capacity Tons | Plate Thk. A | B | C | D | E | F | G | H | J | K | L | Weight (in kg) |
|------------------|--------------------|---------------------------------|--------------------------------|---------------------------------|----|--------------------------------|-------------------------------|--------------------------------|--------------------------------|--------------------------------|-------------------------------|-------------------|
| 0.5 | 0-1 | 2½ | 5½ | 5 ¹¹ / ₁₆ | 1 | 9½ | 1¾ | 3 | 1/2 | 5 ⁵ / ₁₆ | 6 ⁵ / ₈ | 4.64 |
| 1 | 0-1½ | 3 | 6¾ | 5 ¹¹ / ₁₆ | 1¾ | 10½ | 2 ¹ / ₈ | 4 ¹ / ₃₂ | 1 ¹ / ₁₆ | ¾ | 7 ⁵ / ₈ | 9.6 |
| 2 | 0-1½ | 3 ³ / ₁₆ | 7½ | 7 | 1½ | 11½ | 2 ³ / ₈ | 4 ⁹ / ₁₆ | ¾ | 1 | 8½ | 14.5 |
| 3 | ¾-1¾ | 3½ | 8 | 6 ¹¹ / ₁₆ | 1¾ | 12½ | 2 ⁵ / ₈ | 5 ³ / ₈ | 7 ⁷ / ₈ | 1 ¹ / ₈ | 9 ¹ / ₈ | 17.94 |
| 5 | 0-1½ | 3 ¹³ / ₁₆ | 9 ⁵ / ₁₆ | 7 ³ / ₈ | 2 | 13 ³ / ₈ | 2 ⁷ / ₈ | 5 ⁷ / ₈ | 1 | 1 ³ / ₈ | 10 | 28.42 |

SPECIFICATIONS ARE SUBJECT TO CHANGE WITHOUT NOTICE.

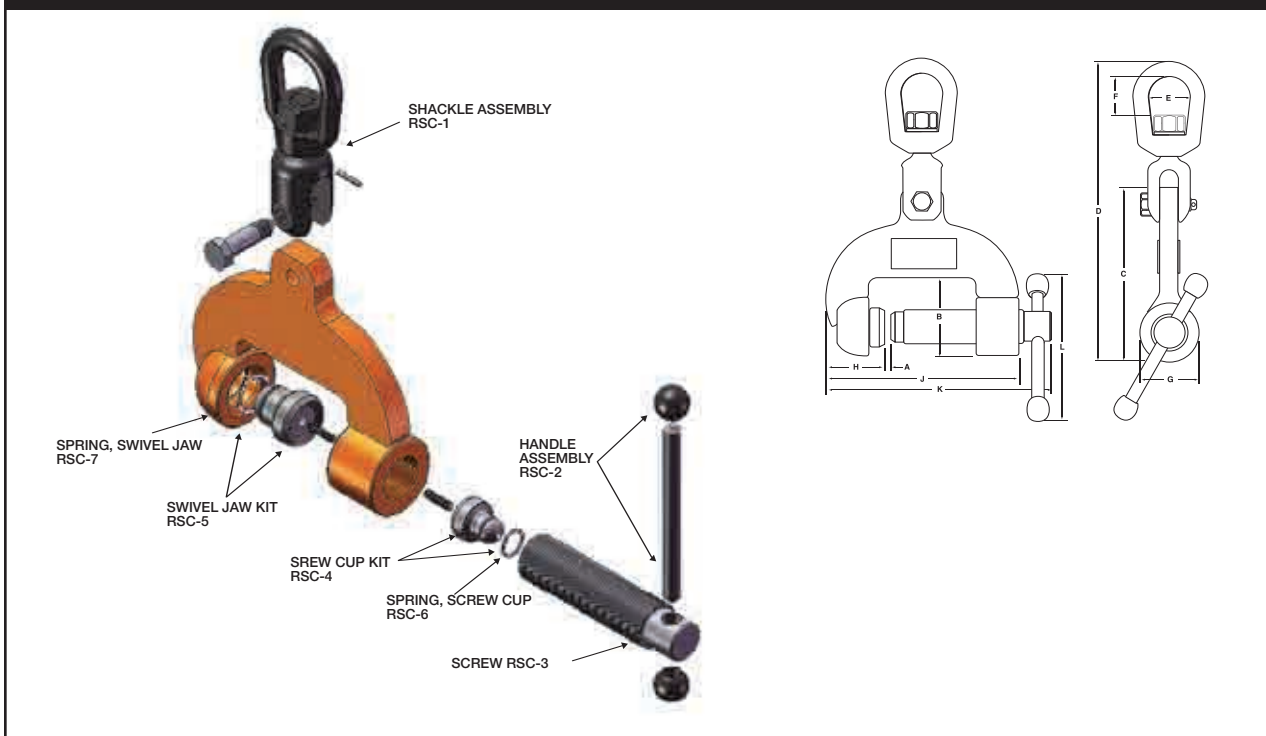


Model RSC

Locking Type

The **Model RSC** is a lightweight screw clamp for bench work on steel plates of large thickness, and weighing less than 1000 lbs.

MODEL RSC EXPLODED VIEW



SPECIFICATIONS (in inches)

| Rated Capacity Tons | Jaw Opening A | B | C | D | E | F | G | H | J | K | L | Weight (in pounds) |
|------------------------|--|--------------------------------|--------------------------------|---------------------------------|-------------------------------|--------------------------------|-------------------------------|-------------------------------|-------------------------------|--------------------------------|-------------------------------|--------------------------------|
| 1/2 | 0-3 | 3 ³ / ₁₆ | 7 | 12 ³ / ₁₆ | 1 ¹ / ₄ | 1 ¹ / ₁₆ | 2 ² / ₈ | 2 ² / ₈ | 7 ⁷ / ₈ | 11 ¹ / ₈ | 6 ³ / ₄ | 13 ¹ / ₂ |
| 1/2 | 1 ³ / ₈ -4 ¹ / ₄ | 3 ³ / ₁₆ | 7 ⁵ / ₁₆ | 12 ⁵ / ₁₆ | 1 ¹ / ₄ | 1 ¹ / ₁₆ | 2 ² / ₈ | 2 ² / ₈ | 9 ¹ / ₄ | 13 ³ / ₈ | 6 ³ / ₄ | 16 ¹ / ₂ |

SPECIFICATIONS ARE SUBJECT TO CHANGE WITHOUT NOTICE.

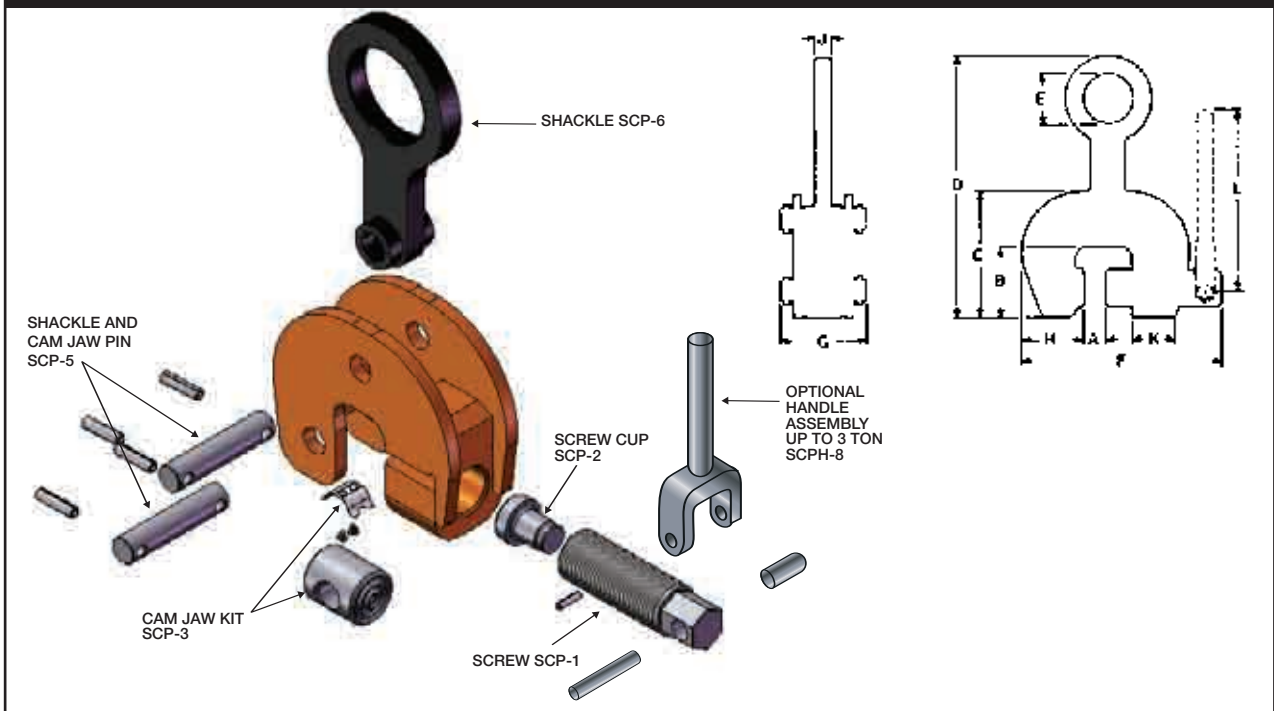
Model SCP

Locking, Screw Type

The **Model SCP** clamp is capable of handling steel plate from horizontal to vertical to horizontal through a 180 degree arc and may be used for handling plate at rolling and forming machines. These clamps feature a spring loaded pivoting cam jaw that "cams in" when a load is applied to the lifting shackle. Clamp is capable of handling plate horizontally when used in pairs or sets of pairs, or in a tripod arrangement.



MODEL SCP EXPLODED VIEW



SPECIFICATIONS (in inches)

| Rated Capacity Tons | Plate Thickness | | Dimensions | | | | | | | | | | | | | | Weight (in pounds) |
|------------------------|-----------------|--------|------------|---------|-------|----------|--------|---------|-------|---------|-------|-------|-------|--------|-----|--|-----------------------|
| | A | B | C | D | E | F | G | H | J | K | L | M | N | P | | | |
| 1/2 | 0-3/4 | 2 3/8 | 4 1/2 | 9 | 2 3/8 | 6 5/8 | 2 3/8 | 1 7/8 | 1/2 | 1 1/2 | — | 1 3/4 | 1 3/4 | 9/16 | 7 | | |
| 1 1/2 | 0-1 1/4 | 2 7/8 | 5 1/2 | 10 9/16 | 2 5/8 | 8 7/16 | 3 3/8 | 2 3/8 | 5/8 | 1 3/4 | 8 1/4 | 2 | 2 | 1 1/16 | 13 | | |
| 3 | 0-2 | 3 1/8 | 5 3/4 | 12 | 2 3/8 | 10 13/16 | 4 1/16 | 2 13/16 | 3/4 | 2 | 8 5/8 | 3 | 6 | 3/4 | 19 | | |
| 6 | 0-2 1/2 | 4 5/16 | 7 9/16 | 14 3/8 | 3 | 14 3/8 | 5 3/8 | 3 7/16 | 1 | 2 15/16 | — | 3 1/2 | 7 | 1 | 44 | | |
| 10 | 0-3 | 5 1/2 | 9 3/4 | 19 1/4 | 3 1/4 | 16 3/8 | 6 3/4 | 4 3/8 | 1 | 3 1/8 | — | 3 1/2 | 7 | 1 | 93 | | |
| 15 | 0-4 | 7 1/4 | 12 1/8 | 22 7/8 | 3 3/4 | 21 1/2 | 8 1/4 | 5 9/16 | 1 1/4 | 4 | — | 3 7/8 | 8 | 1 1/4 | 210 | | |

20, 30, 50, 100 and 150 Ton capacities available upon request. SPECIFICATIONS ARE SUBJECT TO CHANGE WITHOUT NOTICE.

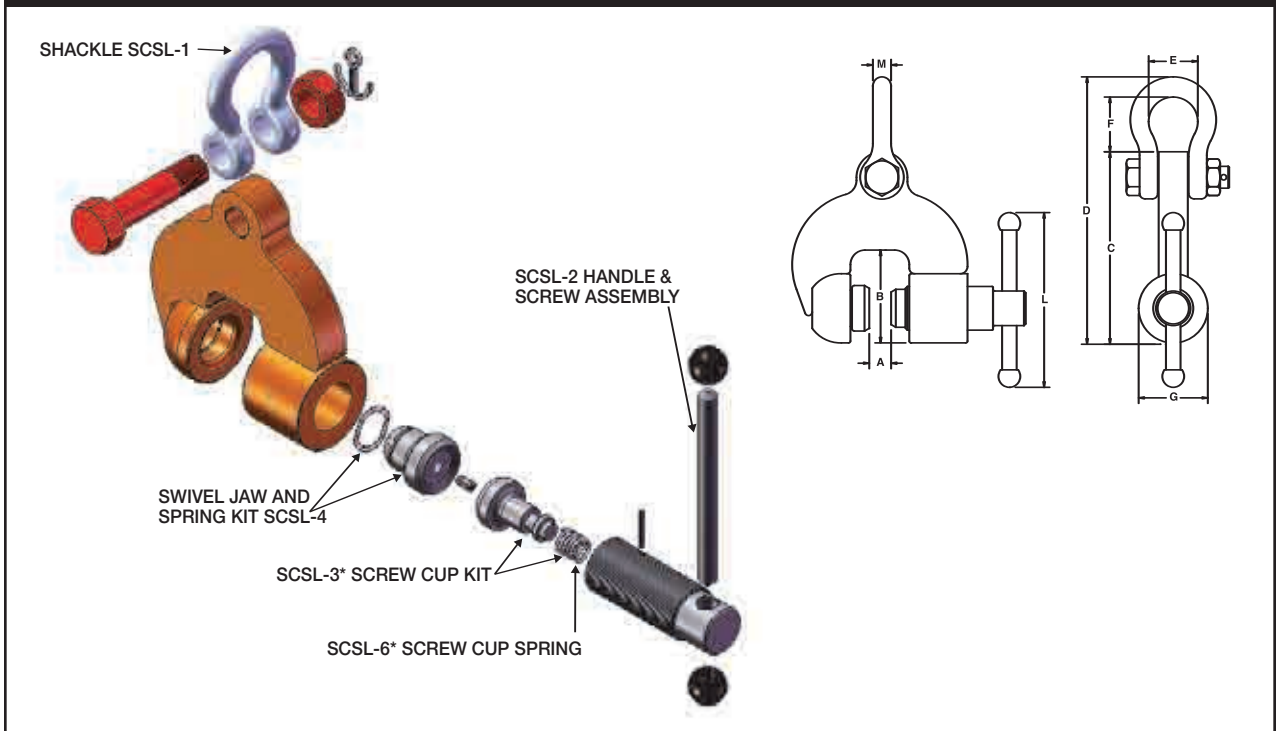


Model SCSL

Locking, Screw Type

The **MODEL SCSL** is a locking screw clamp capable of handling a steel plate from horizontal to vertical to horizontal through a 180-degree arc. It is a lightweight clamp primarily used for bench work. It is capable of handling up to a 2,000-pound load. The **MODEL SCSL** incorporates a spring loaded swivel jaw and screw cup. The spring loaded screw cup serves as an indicator when the locking screw has been properly tightened.

MODEL SCSL EXPLODED VIEW



SPECIFICATIONS (in inches)

| Rated Capacity Tons | Jaw Opening A | B | C | D | E | F | G | L | M | Weight (in pounds) |
|------------------------|---------------------|-------|-------|--------|---------|-------|-------|---|-----|-----------------------|
| 1 | 0-3/4 | 3 1/4 | 6 5/8 | 9 3/16 | 1 11/16 | 1 7/8 | 2 1/2 | 6 | 5/8 | 12 |

SPECIFICATIONS ARE SUBJECT TO CHANGE WITHOUT NOTICE.

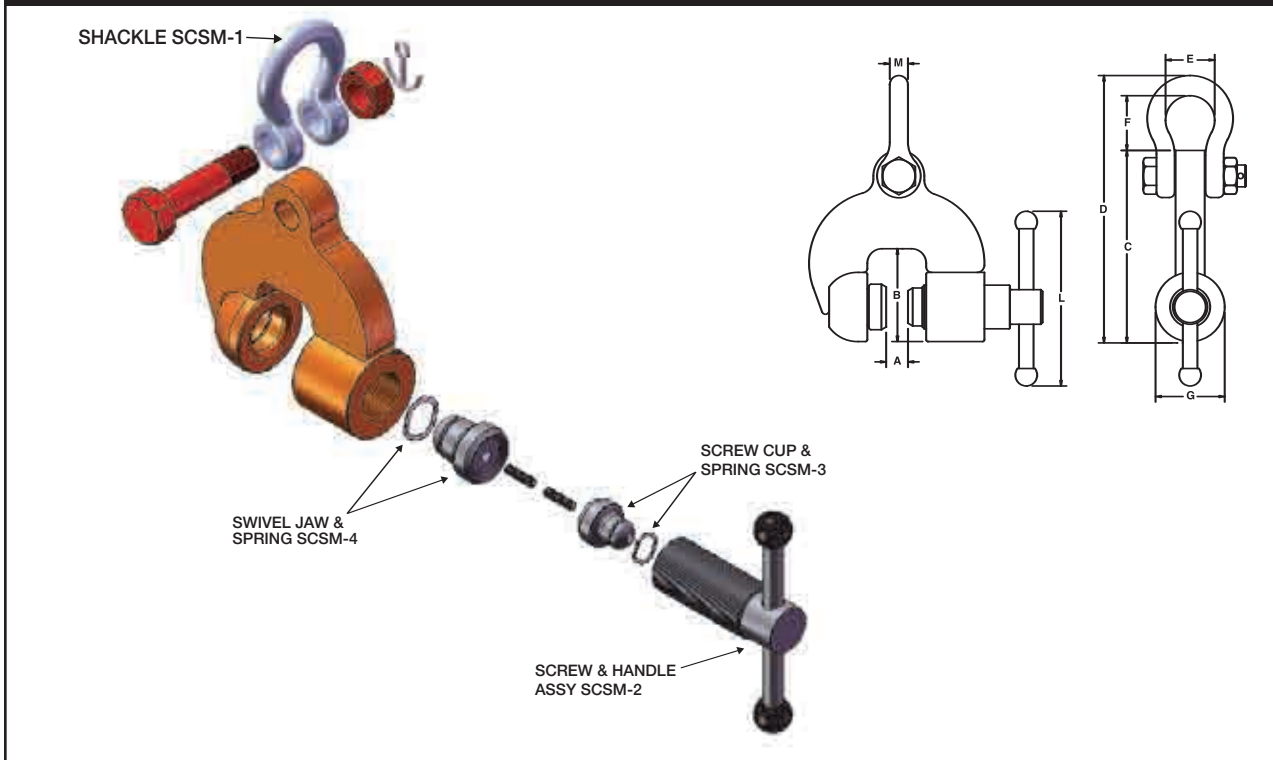
Model SCSM

Locking, Screw Type

The **MODEL SCSM** is a locking screw clamp capable of handling a steel plate from horizontal to vertical to horizontal through a 180-degree arc. It is a lightweight clamp primarily used for bench work. It is capable of handling up to a 2,000-pound load.



MODEL SCSM EXPLODED VIEW



SPECIFICATIONS (in inches)

| Rated Capacity Tons | Jaw Opening A | B | C | D | E | F | G | L | M | Weight (in pounds) |
|------------------------|---------------------|-------|-------|--------|---------|-------|-------|---|-----|-----------------------|
| 1 | 0-3/4 | 3 1/4 | 6 5/8 | 9 3/16 | 1 11/16 | 1 7/8 | 2 1/2 | 6 | 5/8 | 12 |

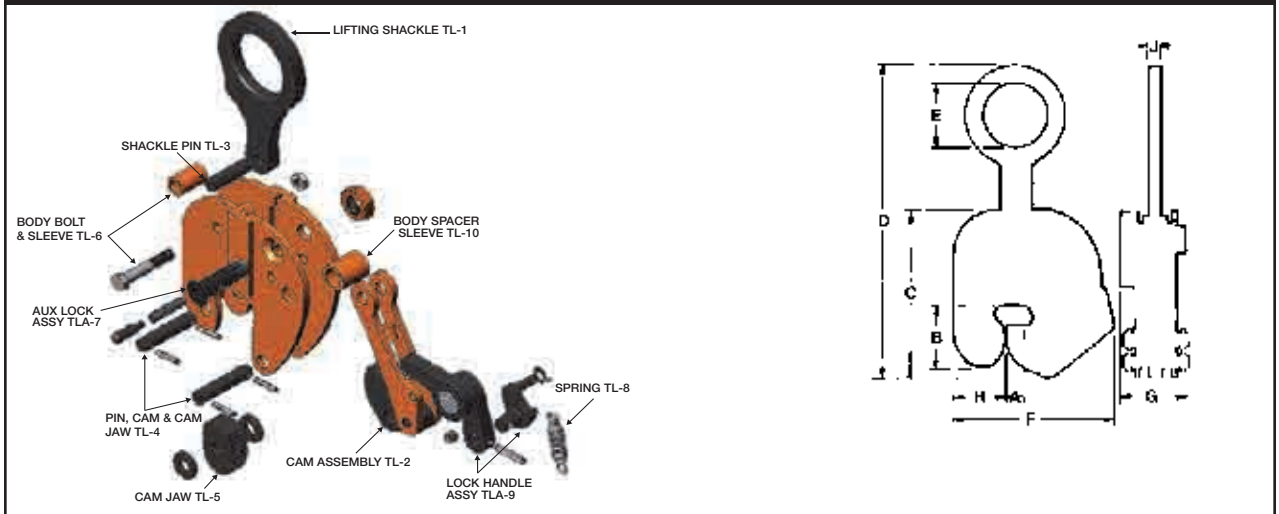
SPECIFICATIONS ARE SUBJECT TO CHANGE WITHOUT NOTICE.



Model TLA Locking Type

The **Model TLA** is a vertical lifting clamp incorporating a “Lock Open” and a “Lock Closed” feature and an auxiliary lock. The clamp is capable of turning a steel plate from horizontal to vertical to horizontal through a 180 degree arc. The “Lock Open,” “Lock Closed” feature facilitates attaching and removing the clamp from the plate.

MODEL TLA EXPLODED VIEW



SPECIFICATIONS (in inches)

| Rated Capacity Tons | Plate Thickness A | B | C | MAX. D | E | MAX. F | G | H | J | Weight (in pounds) |
|------------------------|-------------------------|---------|---------|-----------|-------|-----------|---------|---------|-------|-----------------------|
| 1/2 | 0-5/8 | 2 3/8 | 6 1/4 | 11 1/8 | 2 3/8 | 4 3/4 | 2 3/4 | 1 13/16 | 1/2 | 9 |
| | 5/8-1 | 2 3/8 | 6 1/4 | 11 1/8 | 2 3/8 | 5 | 2 3/4 | 1 13/16 | 1/2 | 10 |
| | 1-1 1/4 | 2 3/8 | 6 1/4 | 11 1/8 | 2 3/8 | 5 1/2 | 2 3/4 | 1 13/16 | 1/2 | 11 |
| | 1 1/4-1 3/4 | 2 3/8 | 6 1/4 | 11 1/8 | 2 3/8 | 5 3/4 | 2 3/4 | 1 13/16 | 1/2 | 13 |
| 1 | 0-3/4 | 3 | 7 1/2 | 13 1/8 | 2 3/8 | 6 | 2 3/4 | 2 | 5/8 | 14 |
| | 3/4-1 | 3 | 7 1/2 | 13 1/8 | 2 3/8 | 6 1/4 | 2 3/4 | 2 | 5/8 | 15 |
| | 1-1 1/4 | 3 | 7 1/2 | 13 1/8 | 2 3/8 | 6 1/2 | 2 3/4 | 2 | 5/8 | 16 |
| | 1 1/4-1 1/2 | 3 | 7 1/2 | 13 1/8 | 2 3/8 | 6 3/4 | 2 3/4 | 2 | 5/8 | 17 |
| 2 | 1 1/2-2 | 3 | 7 1/2 | 13 1/8 | 2 3/8 | 7 1/4 | 2 3/4 | 2 | 5/8 | 18 |
| | 0-1 | 3 1/2 | 9 3/8 | 16 1/4 | 3 3/8 | 8 3/8 | 3 3/4 | 2 7/8 | 3/4 | 32 |
| | 3/4-1 1/2 | 3 1/2 | 9 3/8 | 16 1/4 | 3 3/8 | 9 3/8 | 3 3/4 | 2 7/8 | 3/4 | 33 |
| | 1 1/4-2 | 3 1/2 | 9 3/8 | 16 1/4 | 3 3/8 | 9 3/8 | 3 3/4 | 2 7/8 | 3/4 | 35 |
| 4 | 2-2 3/4 | 3 1/2 | 9 3/8 | 16 1/4 | 3 3/8 | 10 3/8 | 3 3/4 | 2 7/8 | 3/4 | 37 |
| | 3/8-1 1/4 | 4 | 9 7/8 | 17 5/8 | 3 3/8 | 9 | 3 13/16 | 3 | 3/4 | 36 |
| | 1-2 | 4 | 9 7/8 | 17 5/8 | 3 3/8 | 9 3/4 | 3 13/16 | 3 | 3/4 | 37 |
| | 2-3 | 4 | 9 7/8 | 17 5/8 | 3 3/8 | 10 3/4 | 3 13/16 | 3 | 3/4 | 40 |
| 6 | 3-4 | 4 | 9 7/8 | 17 5/8 | 3 3/8 | 11 3/4 | 3 13/16 | 3 | 3/4 | 43 |
| | 1/4-1 3/8 | 4 3/8 | 11 1/8 | 20 3/8 | 3 1/2 | 10 3/4 | 3 3/8 | 3 3/8 | 3/4 | 49 |
| | 1-2 1/8 | 4 3/8 | 11 1/8 | 20 3/8 | 3 1/2 | 11 | 3 3/8 | 3 3/8 | 3/4 | 51 |
| | 2-3 1/8 | 4 3/8 | 11 1/8 | 20 3/8 | 3 1/2 | 12 | 3 3/8 | 3 3/8 | 3/4 | 54 |
| 8 | 3-4 1/8 | 4 3/8 | 11 1/8 | 20 3/8 | 3 1/2 | 13 | 3 3/8 | 3 3/8 | 3/4 | 57 |
| | 3/8-1 1/2 | 4 13/16 | 12 5/16 | 21 5/16 | 3 3/4 | 11 1/2 | 4 3/8 | 3 7/8 | 1 | 72 |
| | 1-2 1/8 | 4 13/16 | 12 5/16 | 21 5/16 | 3 3/4 | 12 1/2 | 4 3/8 | 3 7/8 | 1 | 74 |
| | 2-3 1/8 | 4 13/16 | 12 5/16 | 21 5/16 | 3 3/4 | 13 1/2 | 4 3/8 | 3 7/8 | 1 | 77 |
| 12 | 3-4 1/8 | 4 13/16 | 12 5/16 | 21 5/16 | 3 3/4 | 14 1/2 | 4 3/8 | 3 7/8 | 1 | 80 |
| | 1/2-2 1/2 | 6 1/4 | 15 1/8 | 26 3/8 | 3 7/8 | 14 1/2 | 6 3/8 | 4 3/8 | 1 3/4 | 142 |
| | 2-4 | 6 1/4 | 15 1/8 | 26 3/8 | 3 7/8 | 16 | 6 3/8 | 4 3/8 | 1 3/4 | 150 |
| | 3-5 | 6 1/4 | 15 1/8 | 26 3/8 | 3 7/8 | 17 | 6 3/8 | 4 3/8 | 1 3/4 | 154 |
| 20 | 4-6 | 6 1/4 | 15 1/8 | 26 3/8 | 3 7/8 | 18 | 6 3/8 | 4 3/8 | 1 3/4 | 158 |
| | 1/2-3 | 8 1/8 | 21 3/4 | 36 11/16 | 5 | 20 11/16 | 8 1/8 | 6 3/16 | 2 3/4 | 415 |
| | 2 1/2-4 1/2 | 8 1/8 | 21 3/4 | 36 11/16 | 5 | 22 3/16 | 8 1/8 | 6 3/16 | 2 3/4 | 426 |
| | 3-5 | 8 1/8 | 21 3/4 | 36 11/16 | 5 | 22 11/16 | 8 1/8 | 6 3/16 | 2 3/4 | 430 |
| 445 | 5-7 | 8 1/8 | 21 3/4 | 36 11/16 | 5 | 24 11/16 | 8 1/8 | 6 3/16 | 2 3/4 | 445 |

Consult factory for possible larger capacities. SPECIFICATIONS ARE SUBJECT TO CHANGE WITHOUT NOTICE



VERTICAL + 180 + SIDE PULL





Model JPA

Locking Type



The **Model JPA** is a vertical lifting clamp capable of turning a single plate or member from horizontal to vertical to horizontal through a 180 degree arc. Incorporates a push button auxiliary lock. Permits side loading of lifting shackle to 90 degrees by derating of clamp's rated capacity. Refer to FIGURE 1 for derated capacities.

Model JPA incorporates a pivoting shackle that permits side loading of the lifting shackle at 100 percent of rated capacity from vertical to 30 degrees, 75 percent of rated capacity between 30 and 45 degrees and 50 percent of rated capacity between 45 and 90 degrees.

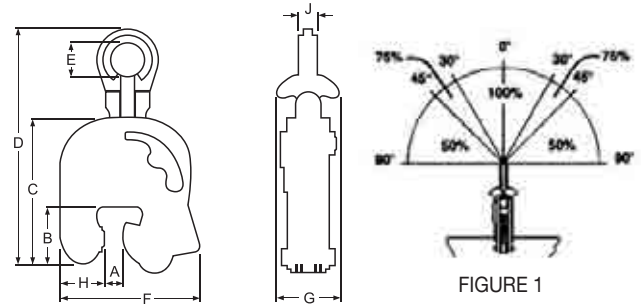
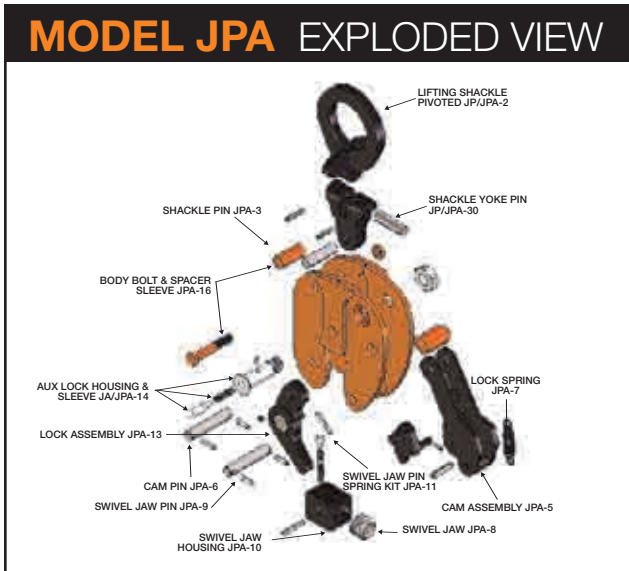


FIGURE 1

SPECIFICATIONS (in inches)

| Rated Capacity Tons | Plate Thickness A | B | C | MAX. D | E | MAX. F | G | H | J | Weight (in pounds) |
|------------------------|-------------------------|--------|----------|-----------|-------|-----------|---------|-------|-------|-----------------------|
| 1/2 | 0-5/8 | 2 3/4 | 6 1/2 | 12 | 2 5/8 | 5 5/8 | 3 1/4 | 2 1/4 | 1/2 | 12 |
| | 5/8-1 | 2 3/4 | 6 1/2 | 12 | 2 5/8 | 6 | 3 1/4 | 2 1/4 | 1/2 | |
| | 1-1 1/4 | 2 3/4 | 6 1/2 | 12 | 2 5/8 | 6 1/4 | 3 1/4 | 2 1/4 | 1/2 | |
| | 1 1/4-1 3/4 | 2 3/4 | 6 1/2 | 12 | 2 5/8 | 6 3/4 | 3 1/4 | 2 1/4 | 1/2 | |
| 1 | 0-3/4 | 3 3/8 | 7 3/4 | 13 3/4 | 2 5/8 | 7 | 3 1/2 | 2 5/8 | 5/8 | 20 |
| | 3/4-1 | 3 3/8 | 7 3/4 | 13 3/4 | 2 5/8 | 7 1/4 | 3 1/2 | 2 5/8 | 5/8 | |
| | 1-1 1/4 | 3 3/8 | 7 3/4 | 13 3/4 | 2 5/8 | 8 | 3 1/2 | 2 5/8 | 5/8 | |
| | 1 1/4-2 | 3 3/8 | 7 3/4 | 13 3/4 | 2 5/8 | 8 1/4 | 3 1/2 | 2 5/8 | 5/8 | |
| 2 | 0-1 | 3 5/8 | 9 1/2 | 17 3/4 | 3 1/2 | 8 3/4 | 4 1/2 | 3 | 3/4 | 40 |
| | 1-1 1/2 | 3 5/8 | 9 1/2 | 17 3/4 | 3 1/2 | 9 1/4 | 4 1/2 | 3 | 3/4 | |
| | 1 1/2-2 | 3 5/8 | 9 1/2 | 17 3/4 | 3 1/2 | 9 3/4 | 4 1/2 | 3 | 3/4 | |
| | 2-2 1/4 | 3 5/8 | 9 1/2 | 17 3/4 | 3 1/2 | 10 1/2 | 4 1/2 | 3 | 3/4 | |
| 4 | 3/16-1 1/4 | 4 3/8 | 11 1/2 | 20 1/8 | 3 1/2 | 9 1/4 | 4 1/2 | 3 1/4 | 1 1/2 | 50 |
| | 1-2 | 4 3/8 | 11 1/2 | 20 1/8 | 3 1/2 | 10 | 4 1/2 | 3 1/4 | 1 1/2 | |
| | 2-3 | 4 3/8 | 11 1/2 | 20 1/8 | 3 1/2 | 11 | 4 1/2 | 3 1/4 | 1 1/2 | |
| | 3-4 | 4 3/8 | 11 1/2 | 20 1/8 | 3 1/2 | 12 | 4 1/2 | 3 1/4 | 1 1/2 | |
| 6 | 1/4-1 3/8 | 4 7/8 | 12 3/8 | 20 7/8 | 3 1/2 | 10 3/4 | 4 3/4 | 3 3/4 | 1 3/4 | 72 |
| | 1-2 1/8 | 4 7/8 | 12 3/8 | 20 7/8 | 3 1/2 | 11 1/2 | 4 3/4 | 3 3/4 | 1 3/4 | |
| | 2-3 1/8 | 4 7/8 | 12 3/8 | 20 7/8 | 3 1/2 | 12 1/4 | 4 3/4 | 3 3/4 | 1 3/4 | |
| | 3-4 1/8 | 4 7/8 | 12 3/8 | 20 7/8 | 3 1/2 | 13 1/4 | 4 3/4 | 3 3/4 | 1 3/4 | |
| 8 | 3/8-1 1/2 | 5 3/8 | 12 3/4 | 22 3/8 | 3 3/4 | 12 3/8 | 5 1/4 | 4 1/4 | 2 | 93 |
| | 1-2 1/8 | 5 3/8 | 12 3/4 | 22 3/8 | 3 3/4 | 13 | 5 1/4 | 4 1/4 | 2 | |
| | 2-3 1/8 | 5 3/8 | 12 3/4 | 22 3/8 | 3 3/4 | 14 3/8 | 5 1/4 | 4 1/4 | 2 | |
| | 3-4 1/8 | 5 3/8 | 12 3/4 | 22 3/8 | 3 3/4 | 15 3/8 | 5 1/4 | 4 1/4 | 2 | |
| 12 | 1/2-2 1/2 | 7 1/4 | 17 3/8 | 28 1/8 | 3 7/8 | 15 15/16 | 7 1/16 | 5 3/8 | 2 | 203 |
| | 2-4 | 7 1/4 | 17 3/8 | 28 1/8 | 3 7/8 | 17 1/16 | 7 1/16 | 5 3/8 | 2 | |
| | 4-6 | 7 1/4 | 17 3/8 | 28 1/8 | 3 7/8 | 19 1/16 | 7 1/16 | 5 3/8 | 2 | |
| | | 7 1/4 | 17 3/8 | 28 1/8 | 3 7/8 | 19 1/16 | 7 1/16 | 5 3/8 | 2 | |
| 16 | 1/2-2 1/2 | 8 | 19 13/16 | 32 5/16 | 4 1/2 | 19 13/16 | 8 11/16 | 6 1/4 | 2 1/4 | 350 |
| 20 | 1/2-3 | 8 5/8 | 21 13/16 | 35 5/8 | 5 | 21 | 11 1/2 | 6 7/8 | 2 3/4 | 456 |
| 25 | 1/2-2 1/2 | 8 5/8 | 23 3/8 | 35 7/8 | 5 | 19 1/16 | 9 5/8 | 6 3/4 | 3 | 483 |
| | 3-5 | 8 5/8 | 23 3/8 | 35 7/8 | 5 | 21 1/16 | 9 5/8 | 6 3/4 | 3 | 495 |
| | 4-6 | 8 5/8 | 23 3/8 | 35 7/8 | 5 | 22 9/16 | 9 5/8 | 6 3/4 | 3 | 502 |
| 30 | 1/2-3 | 9 9/16 | 24 1/4 | 39 7/8 | 5 | 22 13/16 | 14 9/16 | 7 5/8 | 3 | 625 |
| 50 | 3-5 | 10 7/8 | 30 7/8 | 46 7/16 | 5 | 29 3/16 | 11 1/8 | 9 1/4 | 3 1/2 | 1306 |

Consult factory for possible larger capacities. SPECIFICATIONS ARE SUBJECT TO CHANGE WITHOUT NOTICE

VERTICAL + 180 + SIDE PULL

Model SCPA

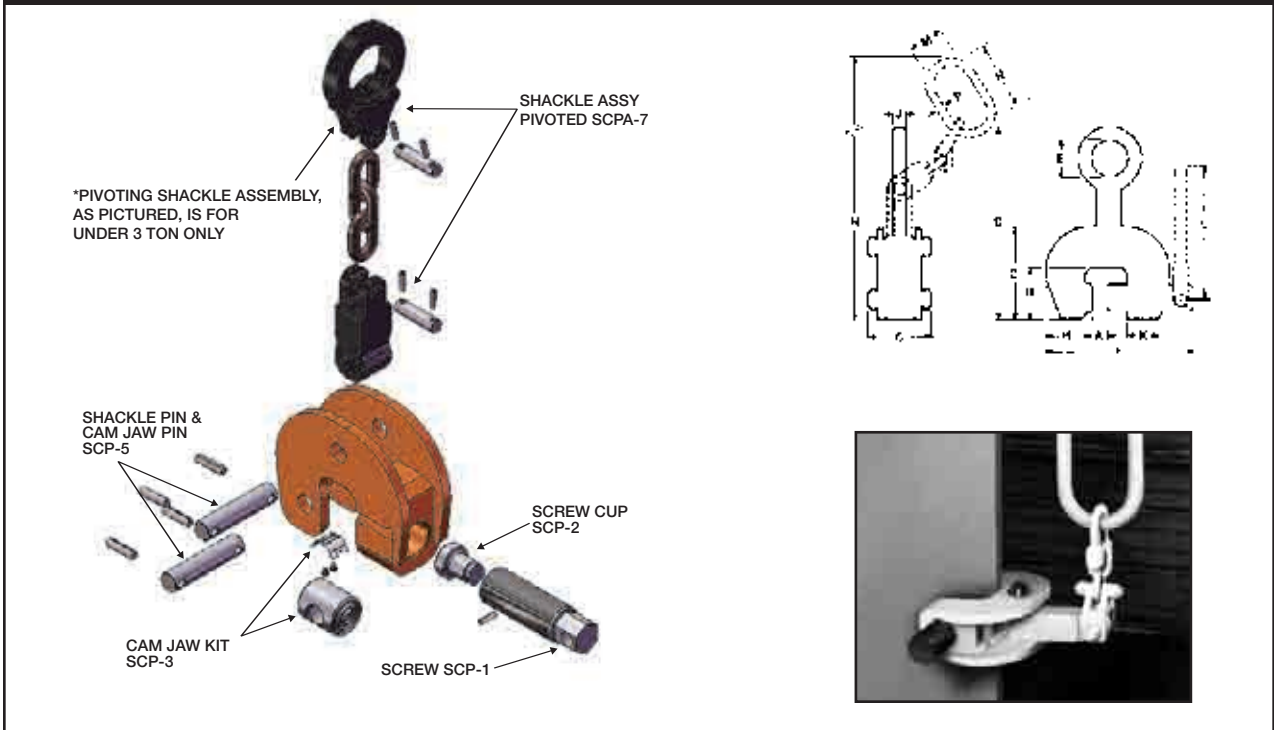
Locking, Screw Type

The **SCPA** clamp is capable of handling steel plate from horizontal to vertical to horizontal through a 180 degree arc and may be used for handling plate at rolling and forming machines. These clamps feature a spring loaded pivoting cam jaw that "cams in" when a load is applied to the lifting shackle. Clamp is capable of handling plate horizontally when used in pairs or sets of pairs, or in a tripod arrangement.

*Pivoting shackle assembly, as shown, is available on capacities 3 tons and larger.



MODEL SCPA EXPLODED VIEW



SPECIFICATIONS (in inches)

| Rated Capacity Tons | Jaw Opening A | B | C | E | F | G | H | J | K | L | M | N | P | R | Weight (in pounds) |
|------------------------|---------------------|--------|--------|-------|----------|-------|---------|-------|---------|-------|-------|-------|--------|---------|-----------------------|
| 1/2 | 0-3/4 | 2 3/8 | 4 1/2 | 2 3/8 | 6 5/8 | 2 3/8 | 1 7/8 | 1/2 | 1 1/2 | — | 1 3/4 | 1 3/4 | 9/16 | 12 3/16 | 8 |
| 1 1/2 | 0-1 1/4 | 2 7/8 | 5 1/2 | 2 5/8 | 8 7/16 | 3 3/8 | 2 3/8 | 5/8 | 1 3/4 | 8 1/4 | 2 | 2 | 1 1/16 | 14 3/16 | 15 |
| 3 | 0-2 | 3 1/8 | 5 3/4 | 2 3/8 | 10 13/16 | 4 1/8 | 2 13/16 | 3/4 | 2 | 8 5/8 | 3 | 6 | 3/4 | 21 3/8 | 24 |
| 6 | 0-2 1/2 | 4 5/16 | 7 9/16 | 3 | 14 3/8 | 5 3/8 | 3 7/16 | 1 | 2 15/16 | — | 3 1/2 | 7 | 1 | 27 3/4 | 57 |
| 10 | 0-3 | 5 1/2 | 9 3/4 | 3 1/4 | 16 3/8 | 6 3/4 | 4 3/8 | 1 | 3 1/8 | — | 3 1/2 | 7 | 1 | 29 7/16 | 134 |
| 15 | 0-4 | 7 1/4 | 12 1/8 | 3 3/4 | 21 1/2 | 8 1/4 | 5 9/16 | 1 1/4 | 4 | — | 3 7/8 | 8 | 1 1/4 | 36 1/2 | 312 |

20, 30, 50, 100 and 150 Ton capacities available upon request. SPECIFICATIONS ARE SUBJECT TO CHANGE WITHOUT NOTICE.

The **Most** Versatile Tool In Your Shipyard Could Be A **Renfroe Clamp!**



The reliability and dependability of a Renfroe clamp has made the Renfroe line a preferred clamp by shipbuilders all over the world. J.C. Renfroe & Sons began in the Jacksonville, Florida shipyards over 70 years ago and has continuously supplied shipbuilders with specialty clamps designed specifically for shipyard needs. And with Renfroe's in-house engineering department, we can design and manufacture new clamp products to handle your yard's unique lifting applications.

FREE SAFETY TRAINING

Increase the level of your employee's expertise in application, inspection and maintenance of clamps. Call Joe Pless at 1-800-874-8454. For your nearest distributor, call 1-800-874-8454.

**RENFROE**

IT'LL TAKE A LOAD OFF YOUR MIND

Made in USA